

Manual de Despiece 

Exclusivo Competición

Parts Book 

Exclusive Competition

**TRSaner**

  
**ELECTRIC START**

250-280-300

2021



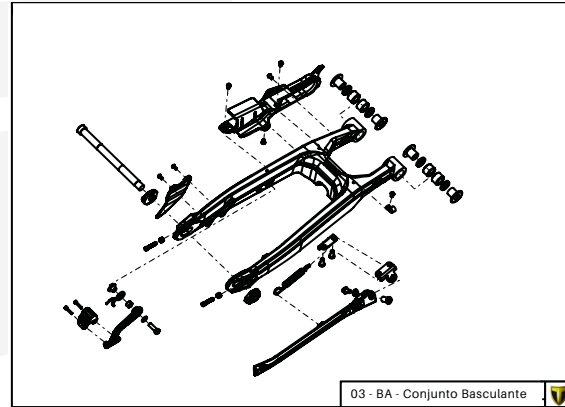
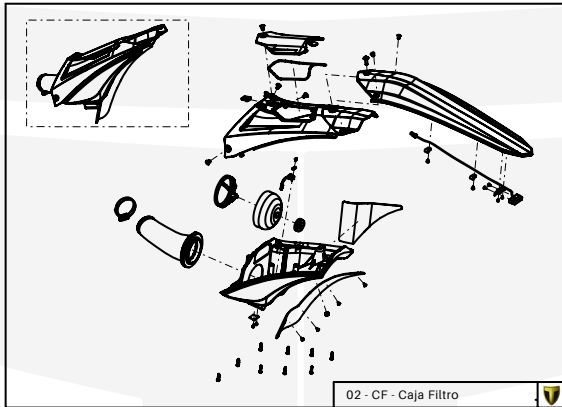
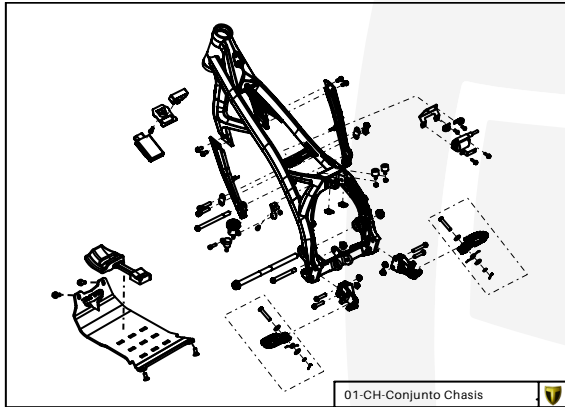
Imagen: Moto exclusivamente para competición y circuito cerrado.  
Picture: Motorcycle only for competition and closed circuit.



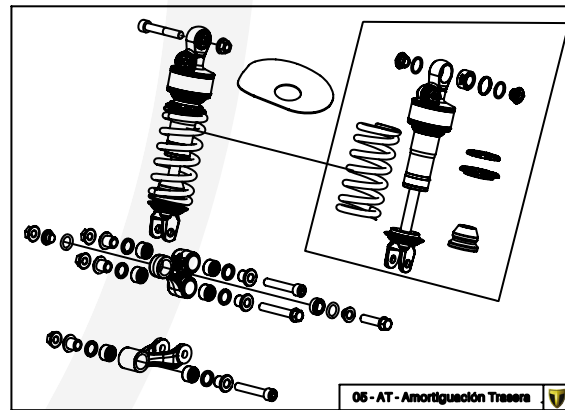
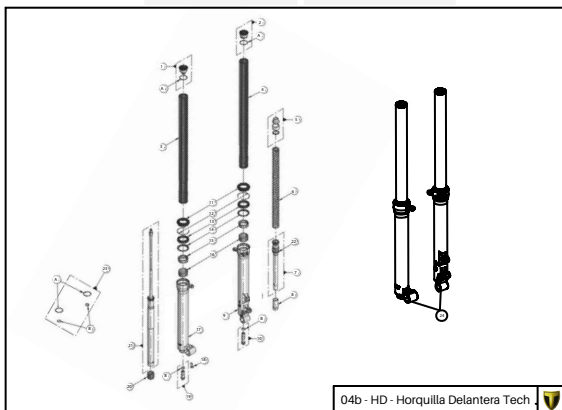
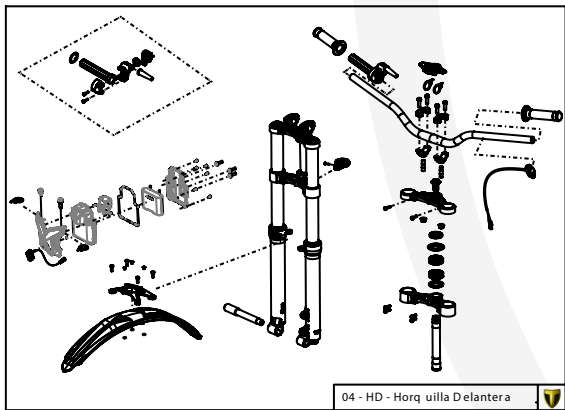
**TR5**  
MOTORCYCLES

# Despiece TRRS ONE-R 2021

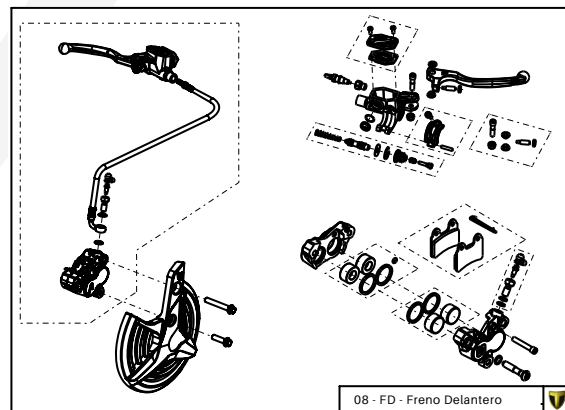
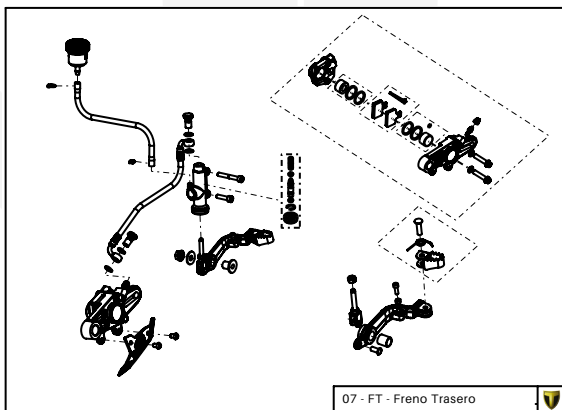
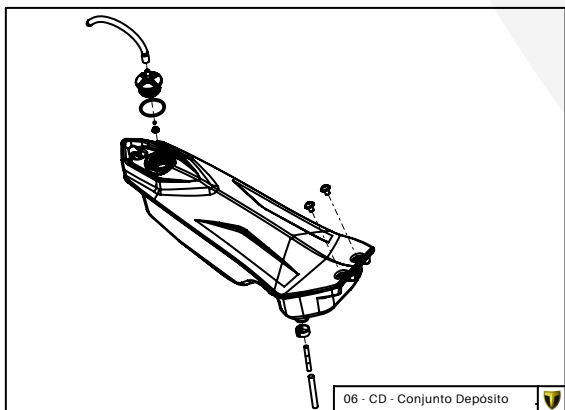
D



C



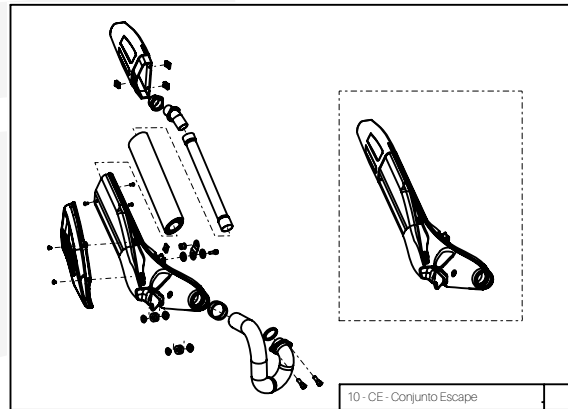
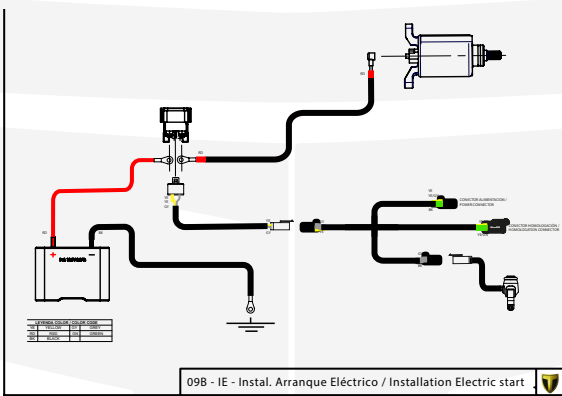
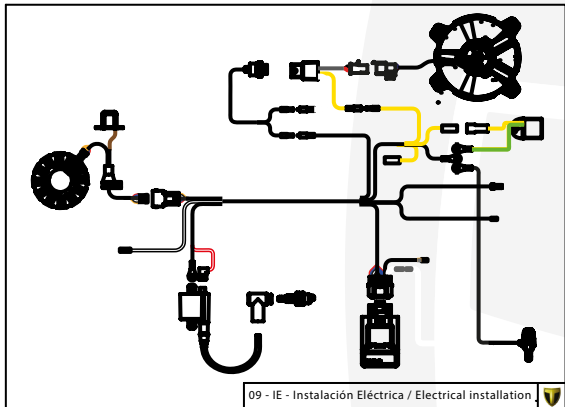
B



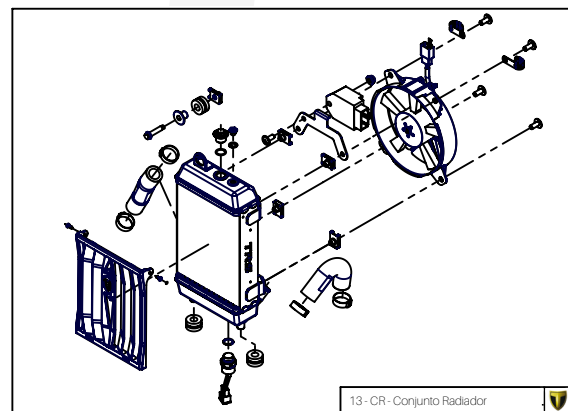
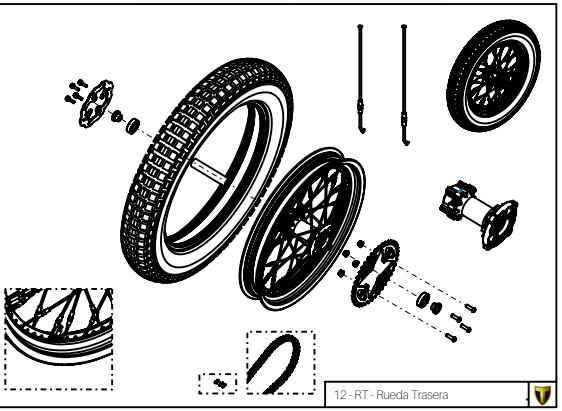
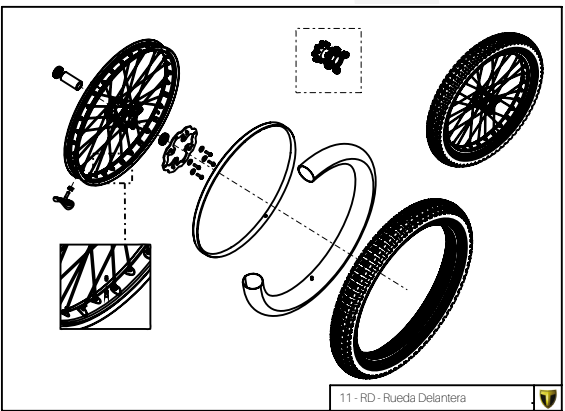
A

# Despiece TRRS ONE-R 2021

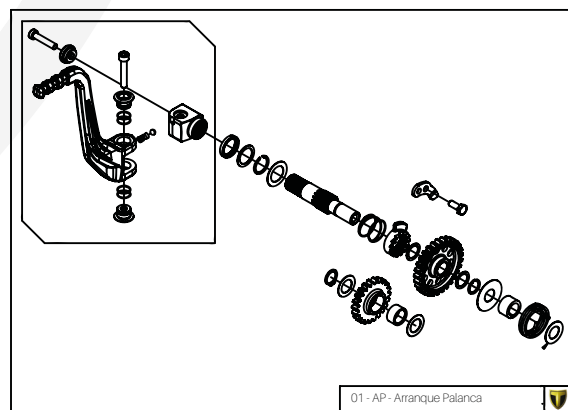
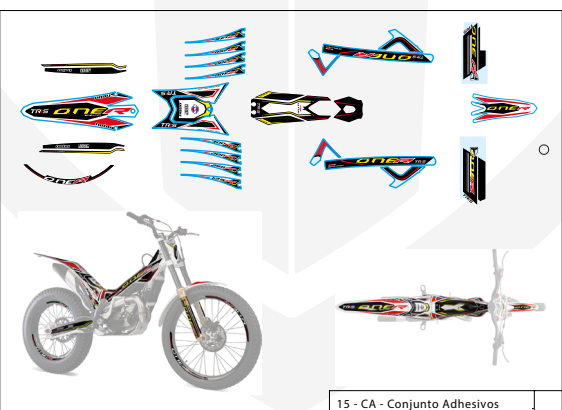
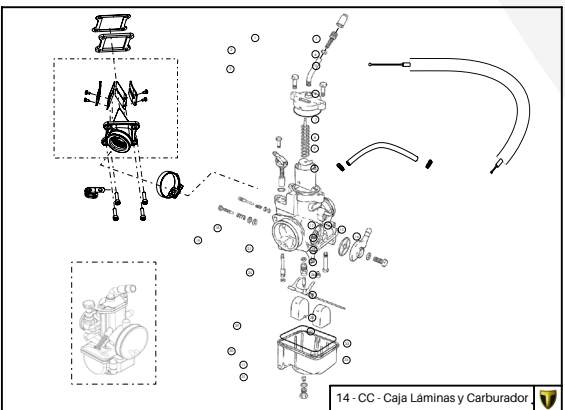
D



C



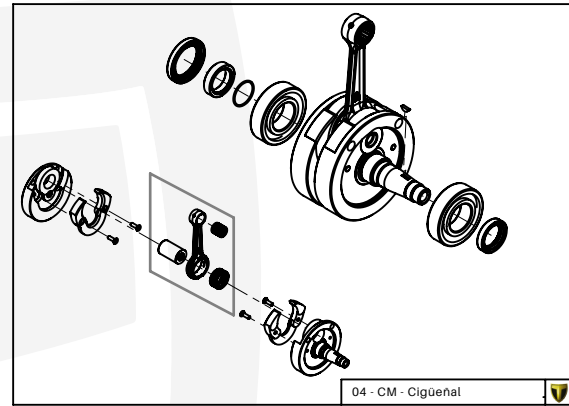
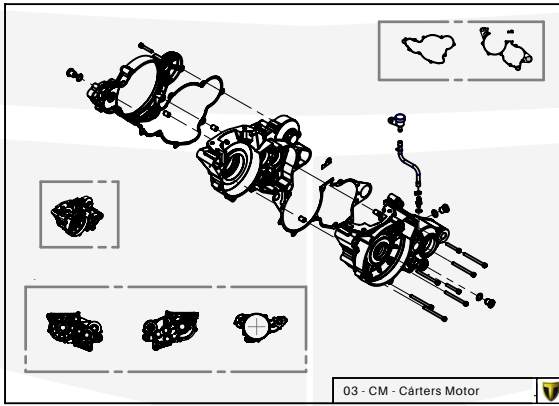
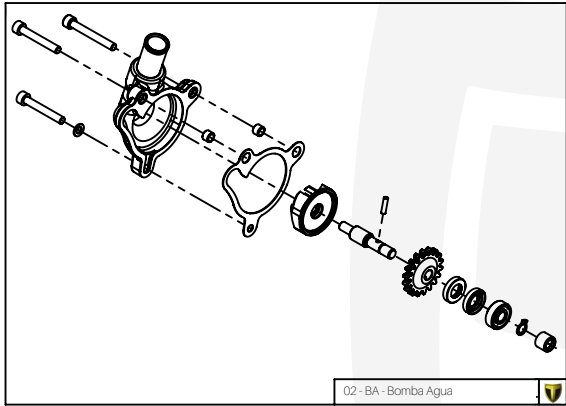
B



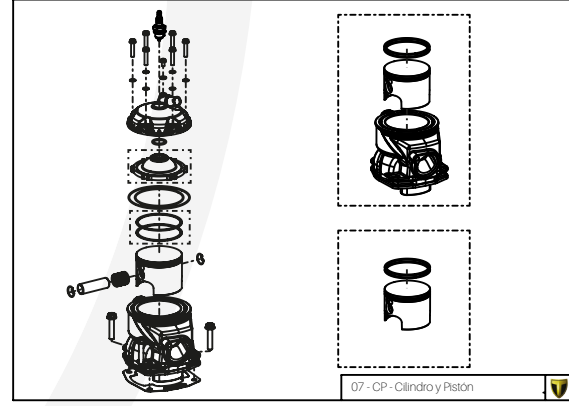
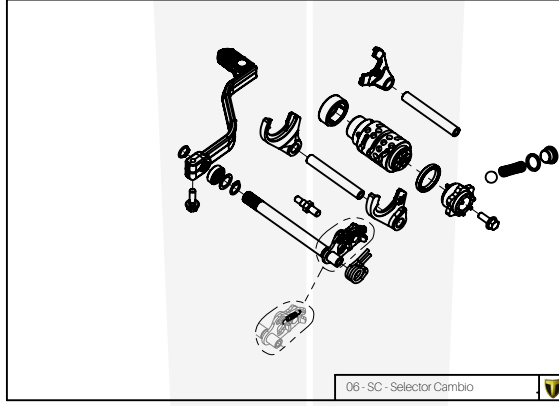
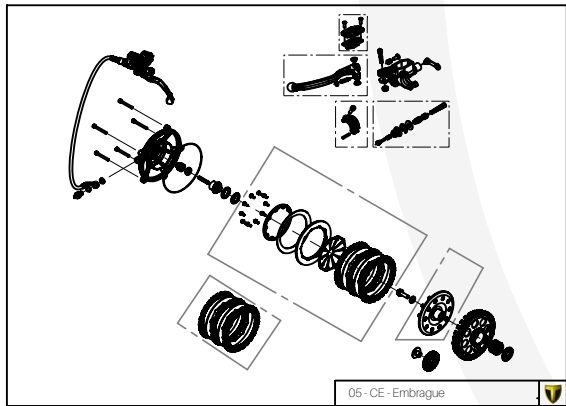
A

# Despiece TRRS ONE-R 2021

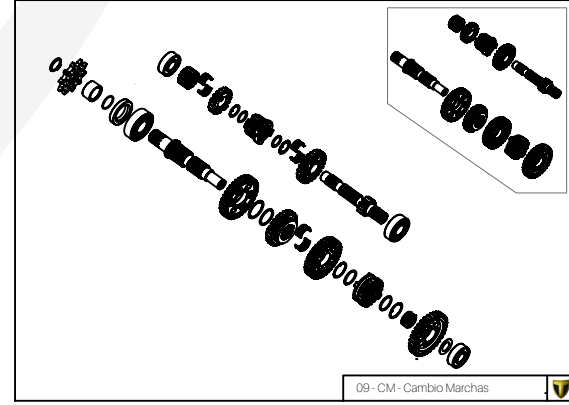
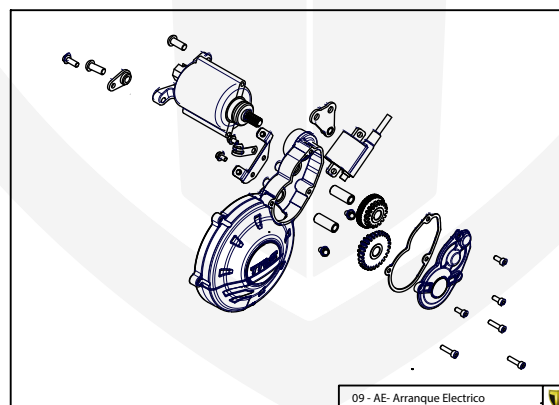
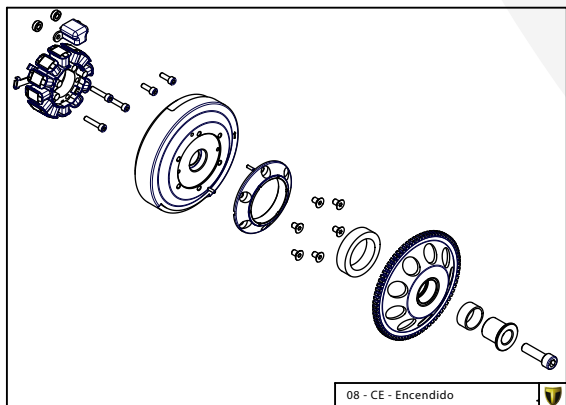
D



C



B



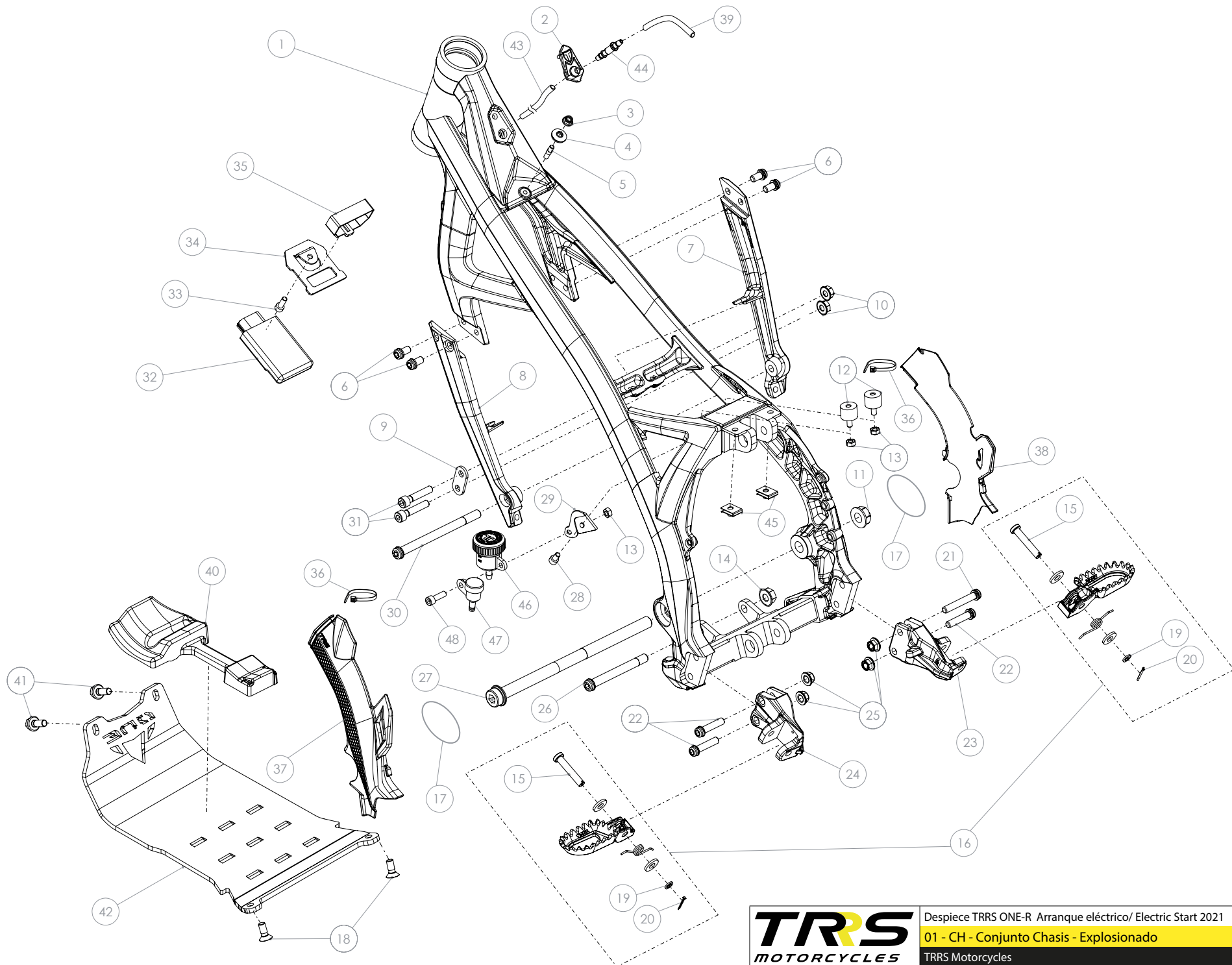
A

D

C

B

A



Despiece TRRS ONE-R Arranque eléctrico/ Electric Start 2021  
**01 - CH - Conjunto Chasis - Explosionado**  
 TRRS Motorcycles



## Despiece TRRS ONE-R Arranque eléctrico/Electric Start 2021

## 01 - CH - Conjunto Chasis - Listado de Piezas

| Nº | Código     | Descripción  | Description   | Cantidad |
|----|------------|--|---|----------|
| 1  | 01001TR100 | Conjunto Chasis  | Chassis assembly  | 1        |
| 2  | 01002TR100 | Pasamuro Tubo Desvaporizador                                     | Vent hose connection plate                                      | 1        |
| 3  | 51501      | Tuerca Autoblocante M6 - Depósito                                | Locknut, M6 fuel tank   | 1        |
| 4  | 56901      | Arandela Metal - Goma Depósito Gasolina                          | Washer, rubber-metal, fuel tank                                 | 1        |
| 5  | 01003TR100 | Esparrago Roscado M6 Depósito Gasolina                           | Fuel tank mounting stud, M6                                     | 1        |
| 6  | 50801      | Tornillo Allen DIN 7984 M8X14mm - Brazos Chasis                  | Allen, DIN7984 8x14mm - Chassis brace                           | 4        |
| 7  | 01004TR103 | Brazo Derecho Chasis (Anodizado negro)                           | Front right subframe (Black anodized )                          | 1        |
| 8  | 01005TR103 | Brazo Izquierdo Chasis (Anodizado negro)                         | Front left subframe (Black anodized)                            | 1        |
| 9  | 01006TR100 | Soporte motor  | Engine support  | 1        |
| 10 | 51502      | Tuerca Autoblocante M8 - Tirantes Motor                          | Nut. locking type, M8 engine                                    | 2        |
| 11 | 01007TR100 | Tuerca Eje Basculante  | Nut, swing-arm shaft  | 1        |
| 12 | 63001      | Silentblock M6 20x15 - Chasis Depósito                           | Silentblock, (isolator) M6 20x15 - Chassis to fuel tank         | 2        |
| 13 | 51501      | Tuerca Autoblocante M6 - Silentblock                             | Locknut, M6, Silentblock  | 3        |
| 14 | 51503      | Tuerca Autoblocante M10x1,25 - Tornillo Inferior Motor           | Locknut, M10x1.25 - Lower engine bolt                           | 1        |
| 15 | 01008TR100 | Eje Pasador Estribo  | Footrest pivot shaft  | 2        |
| 16 | 70101      | Conjunto Estriberas  | Footrest set, complete  | 1        |
| 17 | 53024      | Torica 40x3  | O-ring 40x3   | 2        |
| 18 | 50307      | Tornillo avellanado M8x20  | Screw countersunk head, M8x20                                   | 2        |
| 19 | 56303      | Arandela M8 - Pasador Estribo                                    | Washer M8, footrest pivot                                       | 2        |
| 20 | 64003      | Pasador aletas 2,5x18  | Cotter pin 2,5x18   | 2        |
| 21 | 50803      | Tornillo Allen DIN 7984 M8X55 - Soporte Estribos - Palanca Freno | Allen bolt, DIN 7984 M8x55 - footrest support plate-brake pedal | 1        |
| 22 | 50802      | Tornillo Allen DIN 7984 M8X35 - Soporte Estribos                 | Allen bolt, DIN 7984 M8x35 - footrest support                   | 3        |
| 23 | 01010TR103 | Soporte estribera derecha (Anodizado negro)                      | Support footrest right (Black anodized)                         | 1        |
| 24 | 01011TR103 | Soporte estribera izquierda (Anodizado negro)                    | Support footrest left (Black anodized)                          | 1        |
| 25 | 51502      | Tuerca Autoblocante M8 - Soporte Estribos                        | locknut, M8 - footrest support                                  | 4        |
| 26 | 50105      | Tornillo DIN 912 M10x90x1,25 - Inferior Motor                    | Bolt, DIN 912 M10x90x1.25 - engine lower                        | 1        |
| 27 | 01012TR100 | Eje Basculante   | Swingarm pivot shaft  | 1        |
| 28 | 50101      | Tornillo DIN 912 M6x10 - Soporte Depósito Aceite Freno           | Bolt, DIN 912 M6x10 - Support, brake fluid reservoir            | 1        |
| 29 | 01013TR100 | Chapa Depósito Freno Trasero                                     | Support, rear brake fluid reservoir                             | 1        |



## Despiece TRRS ONE-R Arranque eléctrico/Electric Start 2021

## 01 - CH - Conjunto Chasis - Listado de Piezas

| Nº | Código     | Descripción  | Description   | Cantidad |
|----|------------|--|---|----------|
| 30 | 50102      | Tornillo DIN 912 M10x130 - Superior Motor                        | Bolt, DIN 912 M10x130 - Engine upper                                | 1        |
| 31 | 50901      | Tornillo DIN 6921 M8x40 - Soporte Culata                         | Bolt, DIN 6921 M8x40 - Cylinder head support                        | 2        |
| 32 | 70206      | Caja CDI - (véase (07) en la lámina 09-IE-Instalación Eléctrica) | CDI (black box) - (see (07) in 09-EI-Electrical Installation sheet) | 1        |
| 33 | 50104      | Tornillo DIN 912 M6x20 - Soporte Chapa CDI                       | Bolt, DIN 912 M6x20 - CDI mounting plate                            | 1        |
| 34 | 01014TR100 | Chapa Soporte CDI  | CDI mounting plate  | 1        |
| 35 | 58012      | Velcro CDI   | CDI hook and loop fastening strap                                   | 1        |
| 36 | 58006      | Brida plástico 3.6x200   | Cable tie 3,6x200   | 2        |
| 37 | 01027TR100 | Protector chasis lateral izquierdo                               | Frame protection left side  | 1        |
| 38 | 01026TR100 | Protector chasis lateral derecho                                 | Frame protection right side   | 1        |
| 39 | 62101      | Tubo Goma Desvaporizador Tapon Gasolina                          | Rubber hose, fuel cap   | 1        |
| 40 | 01016TR100 | Goma Protector Carter TRS  | Engine crankcase rubber protection block                            | 1        |
| 41 | 50904      | Tornillo DIN 6921 M8x16 - Placa Carter Superior                  | Bolt, DIN 6921 M8x16 - Engine protector plate, front                | 2        |
| 42 | 01019TR100 | Protector carter estriado  | Engine Protector Plate (Sump Protector), with grooves               | 1        |
| 43 | 62103      | Tubo Goma Desvaporizador Pasamuros Chasis                        | Rubber hose, connection plate                                       | 1        |
| 44 | 01023TR100 | Tubo desvaporizador pasamuro                                     | Plug fuel tube pipe fuel vent                                       | 1        |
| 45 | 51301      | Tuerca Rápida Universal M6                                       | Universal clip-nut, M6  | 2        |
| 46 | 70302      | Depósito Freno Trasero   | Reservoir, rear brake   | 1        |
| 47 | 01018TR100 | Depósito Desvaporizador  | Reservoir, ventilator   | 1        |
| 48 | 50909      | Tornillo DIN 6921 M6x20  | Bolt, Allen, M6x20 6921 DIN   | 1        |

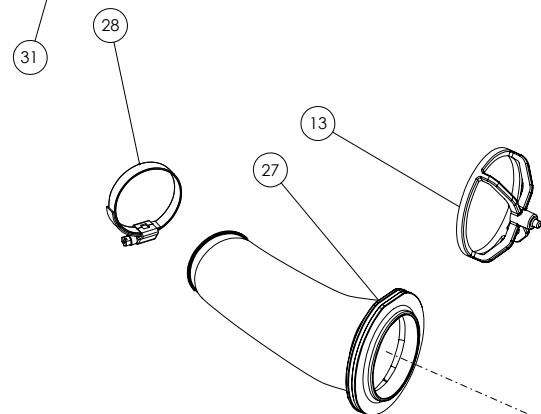
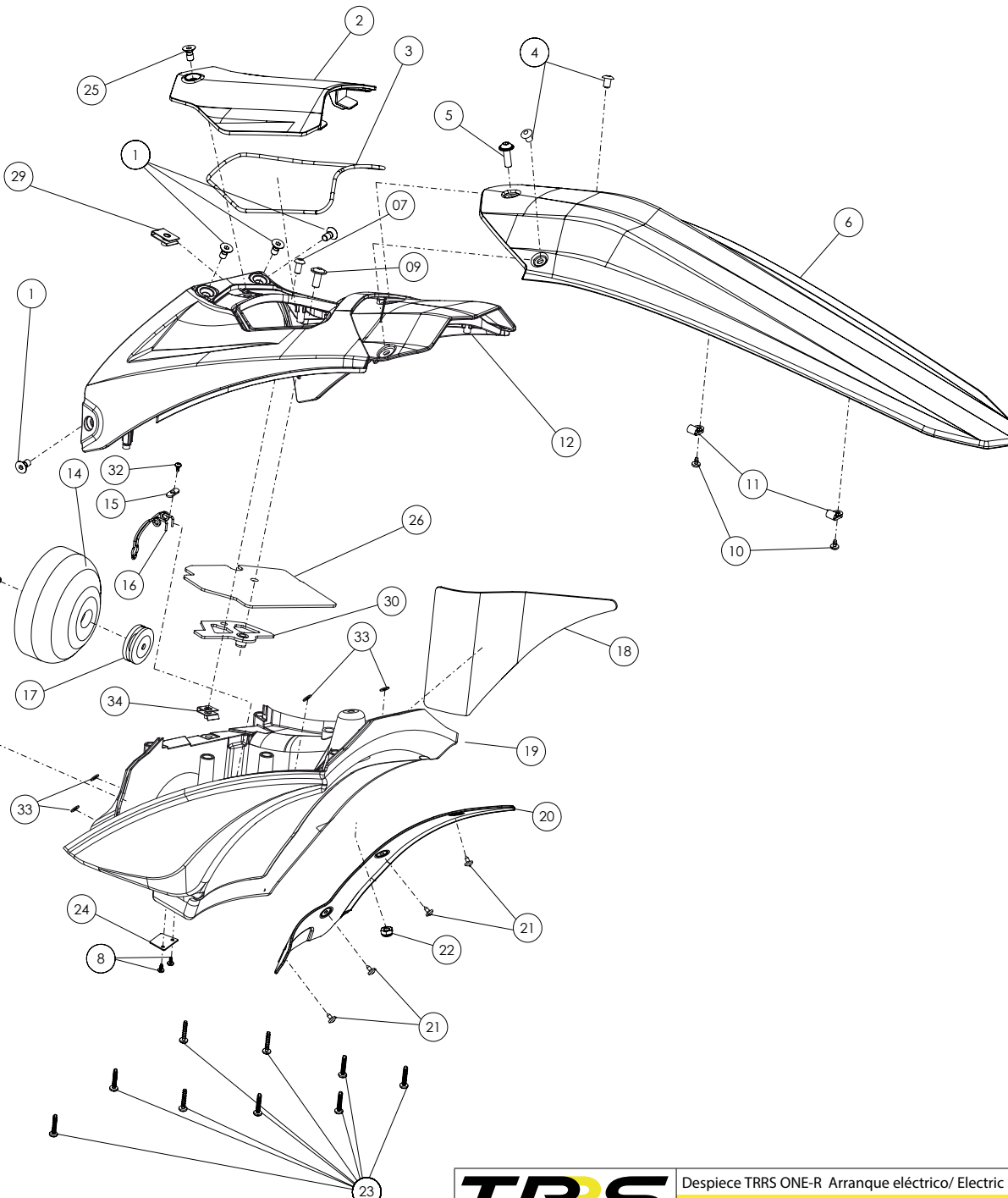
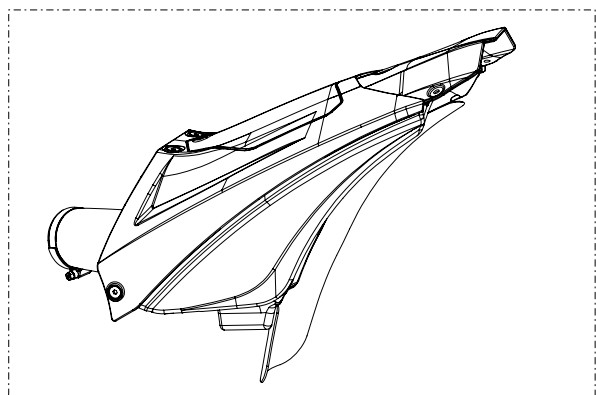


D

C

B

A



Despiece TRRS ONE-R Arranque eléctrico/ Electric Start 2021  
 02 - CF - Caja Filtro - Explosionado  
 TRRS Motorcycles





## Despiece TRRS ONE-R Arranque eléctrico/Electric Start 2021

## 02 - CF - Caja Filtro - Listado de Piezas

| Nº | Código     | Descripción  | Description  | Cantidad |
|----|------------|--|--|----------|
| 1  | 50306      | Tornillo avellanado M6x16  | Bolt countersunk M6x16   | 4        |
| 2  | 02001TR101 | Tapa caja filtro (Blanca)  | Cover filter box (White)   | 1        |
| 3  | 02002TR100 | Tórica 3mm Tapa - Caja Filtro                                      | Cover o-ring, 3mm - air filter box                               | 1        |
| 4  | 65001      | Remache Plástico 6x12  | Plastic rivot 6x12   | 2        |
| 5  | 50202      | Tornillo DIN 7380-fl M6x16 - Guardabarros Trasero                  | Bolt, DIN 7380-fl M6x16 - Rear mudguard (fender)                 | 1        |
| 6  | 02003TR100 | Guardabarros Trasero   | Rear mudguard (fender)   | 1        |
| 7  | 50210      | Tornillo alomado allen M5x12                                       | Bolt allen M5x12   | 1        |
| 8  | 50601      | Tornillo Rosca Chapa DIN 7981 2,9x6,5                              | Screw, course thread DIN 7981 2.9x6,5                            | 2        |
| 9  | 50209      | Tornillo allen con valona M6x14                                    | Screw allen with washer M6x14                                    | 1        |
| 10 | 50703      | Tornillo Ala Ancha 2,9X6,5   | Bolt, broad-head 2,9X6,5   | 2        |
| 11 | 58004      | Grapa Plástico 4.8mm   | Plastic clamp 4.8mm  | 2        |
| 12 | 02024TR100 | Caja filtro aire superior  | Air filter box, upper part                                       | 1        |
| 13 | 02006TR100 | Jaula Espuma - Filtro  | Cage, air filter element   | 1        |
| 14 | 02007TR100 | Espuma Filtro Aire   | Air filter element   | 1        |
| 15 | 02008TR100 | Arandela Muelle Filtro   | Washer, filter spring  | 1        |
| 16 | 02009TR100 | Muelle Fijación Espuma Filtro                                      | Spring, air filter retention                                     | 1        |
| 17 | 02010TR100 | Goma Sujeción Espuma Filtro  | Rubber grommet, air filter retention                             | 1        |
| 18 | 02011TR100 | Protector Anticalórico - Caja Filtro                               | Heat shield - air filter box                                     | 1        |
| 19 | 02025TR100 | Caja filtro aire inferior negra                                    | Air filter box bottom part black                                 | 1        |
| 20 | 02018TR100 | Protector - Caja Filtro  | Rubber protector, sir filter box                                 | 1        |
| 21 | 65004      | Remache aluminio negro Ø4,8x12                                     | Metalic rivot, Ø4,8x12, black                                    | 4        |
| 22 | 51501      | Tuerca Autoblocante M6 - Caja Filtro                               | Lock nut, M6 - air filter box                                    | 1        |
| 23 | 50603      | Tornillo Rosca Chapa DIN 7981 3,9x19 Fijación Caja Filtro Inferior | Screw, course thread DIN 7981 3.9x19 Attach air filter box lower | 9        |
| 24 | 02014TR100 | Lámina Desagüe - Caja Filtro                                       | Drain flap, air filter box                                       | 1        |
| 25 | 50302      | Tornillo avellanado Mx14   | Bolt countersunk M6x14   | 1        |
| 26 | 02028TR100 | Deflector caja filtro aire placa                                   | Air box baffle plate   | 1        |
| 27 | 02017TR100 | Tobera - Caja Filtro   | Intake hose - air filter box                                     | 1        |
| 28 | 58003      | Abrazadera - Norma 40-60   | Clamp - Norma 40-60  | 1        |
| 29 | 51301      | Tuerca Rápida Universal M6   | Universal speed nut M6   | 1        |



## Despiece TRRS ONE-R Arranque eléctrico/Electric Start 2021

| Nº | Código            | Descripción                                    | Description                                    | Cantidad |
|----|-------------------|--|--|----------|
| 30 | <b>02027TR100</b> | Soporte deflector caja filtro aire             | <i>Air box baffle plate</i>                    | 1        |
| 31 | <b>02000TR101</b> | Conjunto caja filtro aire (Tapa filtro blanca) | <i>Air filter box kit (cover filter white)</i> | 1        |
| 32 | <b>50607</b>      | Tornillo Rosca Chapa DIN 7981 4,2x13           | <i>Screw, coarse thread DIN 7981 4,2x13</i>    | 1        |
| 33 | <b>56301</b>      | Arandela Ø5                                    | <i>Washer Ø5</i>                               | 2        |
| 34 | <b>51302</b>      | Tuerca Rápida Universal M5                     | <i>Speed nut, universal M5</i>                 | 1        |

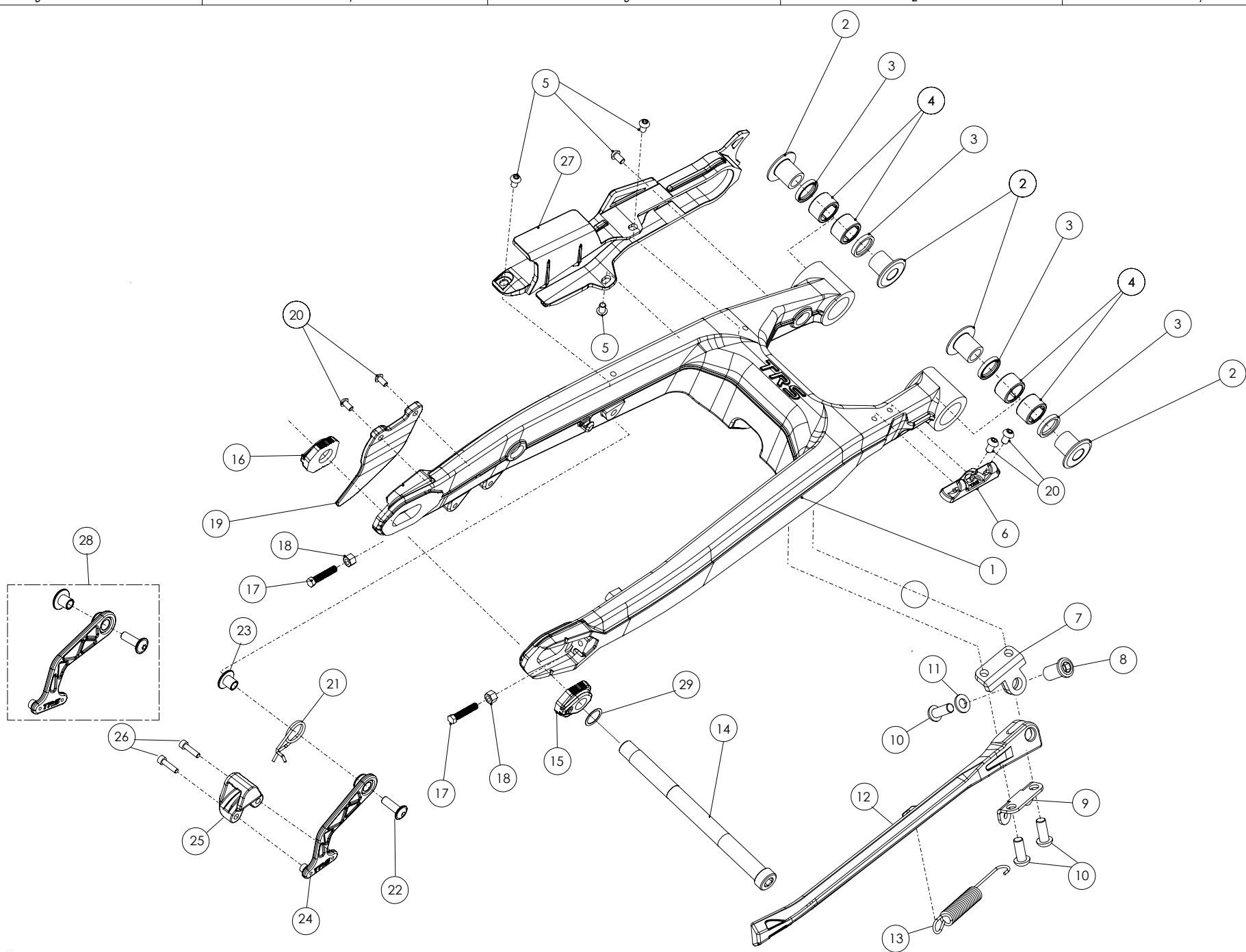


D

C

B

A



Despiece TRRS ONE-R Arranque eléctrico/ Electric Start 2021  
 03 - BA - Basculante - Explosionado  
 TRRS Motorcycles

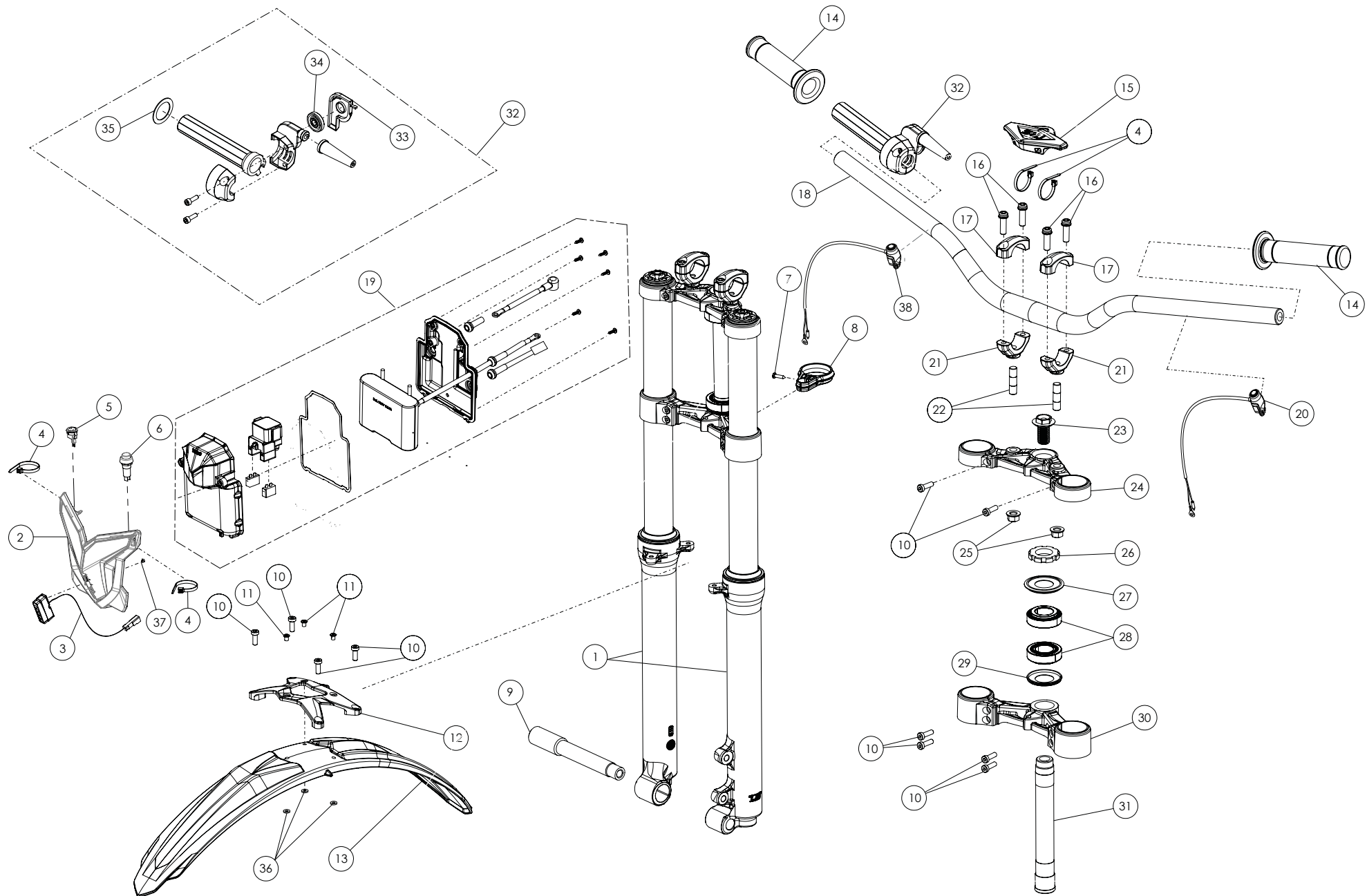


## Despiece TRRS ONE-R Arranque eléctrico/Electric Start 2021

## 03 - BA - Basculante - Listado de Piezas

| Nº | Código     | Descripción  | Description  | Cantidad |
|----|------------|--|--|----------|
| 1  | 03001TR100 | Basculante TRS   | Swing-arm TRS  | 1        |
| 2  | 03002TR100 | Casquillo Eje Basculante   | Bushing, swing-arm shaft                                       | 4        |
| 3  | 54001      | Retén Basculante 20x26x4   | Seal, swing-arm 20x26x4  | 4        |
| 4  | 52501      | Rodamiento Basculante NH-2016  | Bearing, swing-arm NH 2016                                     | 4        |
| 5  | 50203      | Tornillo DIN 7380-fl M6x10 - Guía Cadena                                 | Bolt, DIN 7380-fl M6x10 - Chain guide                          | 4        |
| 6  | 03017TR100 | Guía Latiguillo Freno Trasero  | Guide, brake hose  | 1        |
| 7  | 03003TR100 | Soporte Caballete  | Side-stand support   | 1        |
| 8  | 03004TR100 | Tornillo - Soporte Caballete   | Bolt - side-stand support                                      | 1        |
| 9  | 03005TR100 | Soporte muelle caballete   | Side-stand spring support                                      | 1        |
| 10 | 50201      | Tornillo DIN 7380 M8x20  | Bolt, DIN 7380 M8x20   | 3        |
| 11 | 56303      | Arandela M8  | Washer, M8   | 2        |
| 12 | 03006TR100 | Caballete  | Side-stand   | 1        |
| 13 | 03007TR100 | Muelle Caballete   | Spring, side-stand   | 1        |
| 14 | 03008TR100 | Eje Rueda Trasera  | Axle, rear wheel   | 1        |
| 15 | 03009TR100 | Tensor eje rueda   | Tensioner, rear axle side                                      | 1        |
| 16 | 03010TR100 | Tensor eje rueda trasera roscado   | Tensioner threaded, rear wheel axle                            | 1        |
| 17 | 50501      | Tornillo DIN 933 M6 - Tensor Eje Rueda                                   | Bolt, DIN 933 M6 - rear wheel tension                          | 2        |
| 18 | 51103      | Tuerca DIN 6330 M6 - Tensor Eje Rueda                                    | Bolt, DIN 6330 M6 - rear wheel tension                         | 2        |
| 19 | 03011TR100 | Protector Corona   | Sprocket protector   | 1        |
| 20 | 50204      | Tornillo DIN 7380 M6x10 - Protector Corona y Guía Latiguillo Freno Tras. | Bolt, DIN 7380 M6x10 - Sprocket protector and Brake hose Guide | 4        |
| 21 | 03012TR100 | Muelle Tensor Cadena   | Chain tension spring   | 1        |
| 22 | 50213      | Tornillo allen con valona M8x25  | Screw allen with washer M8x25                                  | 1        |
| 23 | 03023TR100 | Casquillo Tensor Cadena  | Bushing, chain tensioner                                       | 1        |
| 24 | 03020TR100 | Palanca remachada tensor cadena  | Chain tensioner riveted  | 1        |
| 25 | 70102      | Goma Tensor  | Rubber block, chain tensioner                                  | 1        |
| 26 | 50107      | Tornillo allen M5x20   | Bolt allen M5x20   | 2        |
| 27 | 03015TR100 | Guía Cadena  | Chain guide  | 1        |
| 28 | 03TR122    | Conjunto tensor cadena (simplificado)                                    | Chain tensioner kit (simplified)                               | 1        |
| 29 | 03016TR100 | Arandela Eje Rueda Trasera 22x17x0,5                                     | Washer, 22x17x0,5  | 1        |





## Despiece TRRS ONE-R Arranque eléctrico/Electric Start 2021

## 04 - HD - Horquilla Delantera - Listado de Piezas

| Nº | Código     | Descripción   | Description   | Cantidad |
|----|------------|---|---|----------|
| 1  | 04000TR100 | Conjunto Horquilla Delantera  | Front suspension, complete  | 1        |
| 2  | 04023TR100 | Careta luz arranque electrico   | Head light mask electric start  | 1        |
| 3  | 70209      | Led Delantera - (véase (10) en la lámina 09-IE-Instalación Eléctrica)         | LED lights, TRS - (see item 10 in drawing 09-IE electrical system)            | 1        |
| 4  | 58006      | Brida Plástico 3,6x200  | Plastic retention strap   | 4        |
| 5  | 70208      | Interruptor Curva CDI - (véase (09) en la lámina 09-IE-Instalación Eléctrica) | Switch, CDI ignition curve - (see item 09 in drawing 09-IE electrical system) | 1        |
| 6  | 70210      | Pulsador Led - (véase (11) en la lámina 09-IE-Instalación Eléctrica)          | Switch, LED lights - (see item 11 in drawing 09-IE electrical system)         | 1        |
| 7  | 50608      | Tornillo Rosca Chapa 3,9x13   | Screw, coarse thread 3.9x13   | 1        |
| 8  | 04002TR100 | Brida Guía Latiguillo Freno   | Cable guide, brake hose   | 1        |
| 9  | 04003TR100 | Eje Rueda Delantera   | Axle, front wheel   | 1        |
| 10 | 50805      | Tornillo DIN 912 M6x16  | Bolt, DIN 912 M6x16   | 10       |
| 11 | 65002      | Remache 4,8x12mm - Guardabarros   | Rivot, 4.8x12mm Mudguard (Fender)   | 3        |
| 12 | 04004TR100 | Soporte Guardabarros Delantera  | Support, front mudguard (Fender)  | 1        |
| 13 | 04005TR100 | Guardabarros Delantera  | Front mudguard (Fender)   | 1        |
| 14 | 70126      | Puños HEBO  | Hand grips, HEBO  | 2        |
| 15 | 04006TR100 | Goma Protector Manillar   | Rubber handlebar protector  | 1        |
| 16 | 50806      | Tornillo Allen DIN 912 M8x25 - Bridas Manillar                                | Bolt, Allen DIN 912 M8x25 - Handlebar clamps                                  | 4        |
| 17 | 04007TR100 | Brida Superior Manillar   | Clamp, handlebar upper  | 2        |
| 18 | 70130      | Manillar Neken (Negro)  | Handlebar Neken (Black)   | 1        |
| 19 | 04028TR100 | Conjunto bateria arranque electrico   | Battery electric start set  | 1        |
| 20 | 70207      | Botón Paro - (véase (20) en lámina 09-IE-Instalación Eléctrica)               | Stop button - (see item 20 in drawing 09-IE electrical system)                | 1        |
| 21 | 04008TR100 | Brida Inferior Manillar   | Clamp, handlebar lower  | 2        |
| 22 | 04009TR100 | Eje Brida Manillar  | Shaft, handlebar clamp  | 2        |
| 23 | 04010TR100 | Tornillo Eje Pipa Dirección   | Bolt, steering stem (shaft)   | 1        |
| 24 | 04011TR100 | Pletina Superior Suspensión   | Suspension triple-tree, upper   | 1        |
| 25 | 51503      | Tuerca Autoblocante M10 - Eje Brida Manillar                                  | Nut, self locking M10 - handlebar clamp base                                  | 2        |
| 26 | 04012TR100 | Tuerca Pipa Dirección   | Nut, steering stem (shaft)  | 1        |
| 27 | 04013TR100 | Guardapolvos Superior   | Dust cover, upper   | 1        |
| 28 | 52401      | Rodamiento 25-47-15   | Bearing, 25-47-15   | 2        |
| 29 | 04014TR100 | Guardapolvos Inferior   | Dust cover, lower   | 1        |



## Despiece TRRS ONE-R Arranque eléctrico/Electric Start 2021

04 - HD - Horquilla Delantera - Listado de Piezas

| Nº | Código            | Descripción  | Description   | Cantidad |
|----|-------------------|--|---|----------|
| 30 | <b>04015TR100</b> | Pletina Inferior Suspensión  | <i>Suspension triple-tree, lower</i>  | 1        |
| 31 | <b>04016TR100</b> | Eje Pipa Dirección   | <i>Steering stem (shaft)</i>  | 1        |
| 32 | <b>70105</b>      | Mando Gas  | <i>Throttle handle assembly</i>   | 1        |
| 33 | <b>70106</b>      | Tapa Mando Gas   | <i>Cap, throttle cable wheel</i>  | 1        |
| 34 | <b>70107</b>      | Rodillo Mando Gas  | <i>Cable wheel, throttle</i>  | 1        |
| 35 | <b>70108</b>      | Arandela Mando Gas   | <i>Washer, throttle grip</i>  | 1        |
| 36 | <b>56301</b>      | Arandela M5 DIN 125  | <i>Washer, M5 DIN 125</i>   | 3        |
| 37 | <b>50604</b>      | Tornillo Rosca Chapa DIN 7981 2x4  | <i>Screw, course thread DIN 7981 2x4</i>  | 1        |
| 38 | <b>09007TR100</b> | Pulsador de arranque con instalacion (Veáse(04) en lámina 09bIE-Instalación Eléctrica) | <i>Starter button with hardness (See item (04) in drawing 09b-IE electrical system)</i> | 1        |

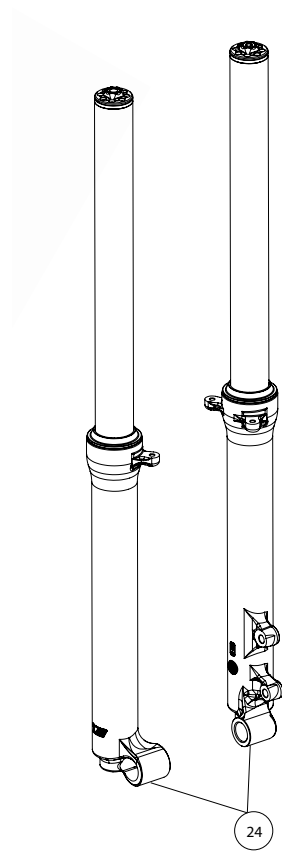
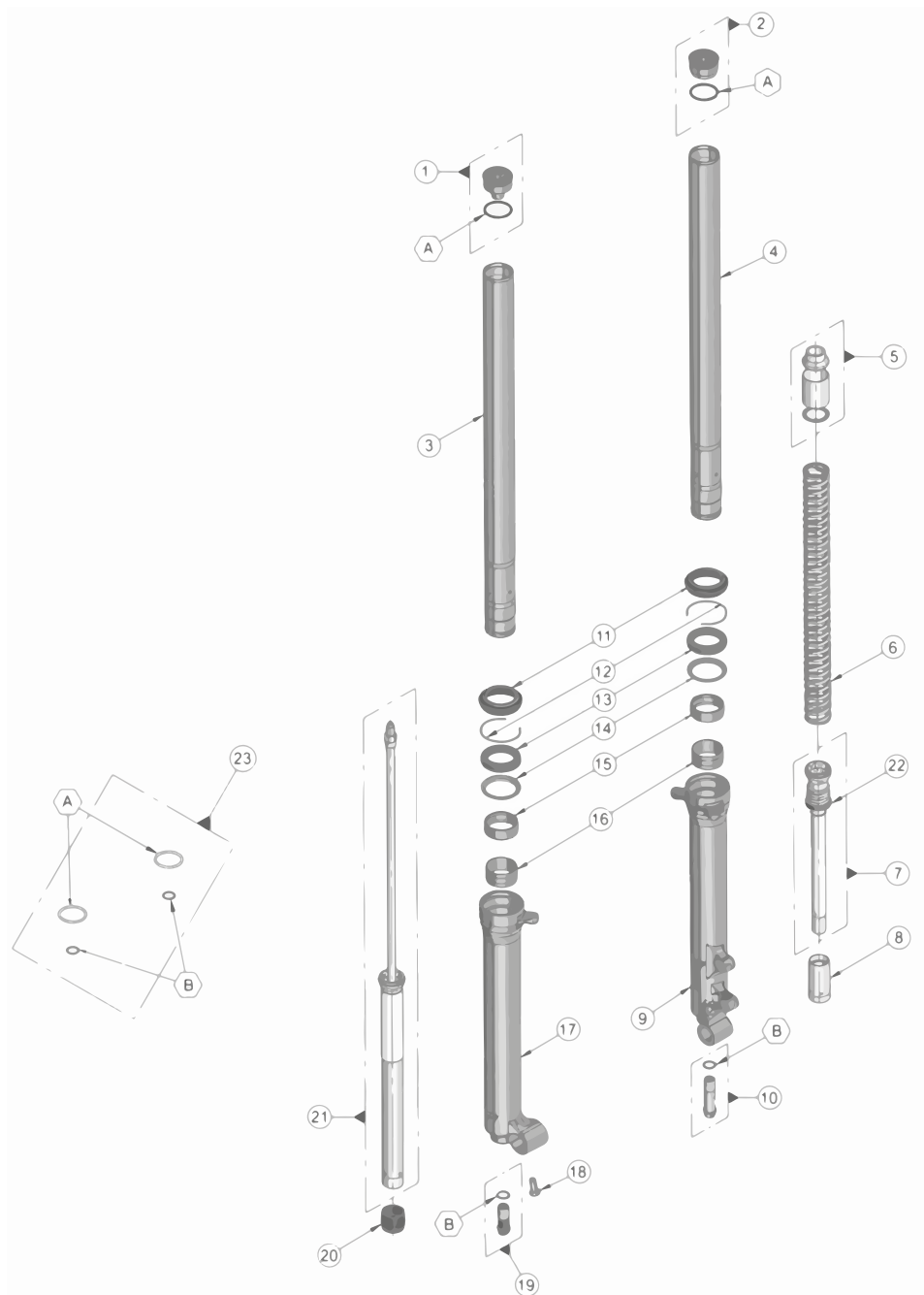


D

C

B

A





## Despiece TRRS ONE-R Arranque eléctrico/Electric Start 2021

04b - HD - Horquilla Delantera Tech - Listado de Piezas

| Nº | Código     | Descripción  | Description                       | Cantidad |
|----|------------|--|-----------------------------------|----------|
| 1  | 71001      | Cto. Tapon Regulacion Estension-Group Top Cap Extension          | Top Cap Rebound                   | 1        |
| 2  | 71002      | Cto.Tapon Regulacion Precarga Muelle-Grop Top Cap Preload Spring | Group, Top Cap Preload Spring     | 1        |
| 3  | 71003      | Barra Suspension Derecha-Group Stanchion Tube Replay Right       | Stanchion Tube, Right side        | 1        |
| 4  | 71004      | Barra Suspension Izquierda-Group Stanchion Tube Replay Left      | Stanchion Tube, Left side         | 1        |
| 5  | 71005      | Cto. Distanciadores Muelle-Group Spacers Spring                  | Group, Spring spacers             | 1        |
| 6  | 71006      | Muelle Horquilla-Fork Spring (Progr. 1)                          | Fork Spring                       | 1        |
| 7  | 71007      | Cto.Mecanico Bombeo-Group Mechanical Pumping                     | Group, dampening cartridge        | 1        |
| 8  | 71008      | Cono Limitador Izquierdo-Cone Limit Left                         | Alignment cone, Left              | 1        |
| 9  | 71009      | Botella Suspension Izquierda-Left Leg                            | Lower Leg, left                   | 1        |
| 10 | 71010      | Cto.Tornillo Regulacion-Needle Regulation Group                  | Needle and Regulation Group       | 1        |
| 11 | 71011      | Guardapolvo Horquilla-Dust Seal                                  | Dust Seal                         | 2        |
| 12 | 71012      | Circlip Tope Reten-Ring Stopper Oil Seal                         | Oil Seal retention clip           | 2        |
| 13 | 71013      | Reten Horquilla-Oil Seal   | Oil Seal                          | 2        |
| 14 | 71014      | Anillo Tope Glacier-Ring Stop Bushing Oil Seal                   | Bushing stop ring                 | 2        |
| 15 | 71015      | Glacier Barra Horquilla-Bush Du Ø39XØ43X15                       | Bushing Du Ø39XØ43X15             | 2        |
| 16 | 71016      | Glacier Botella Horquilla-Bush Du Ø38XØ40X20                     | Bushing Du Ø38XØ40X20             | 2        |
| 17 | 71017      | Botella Suspension Derecha-Right Leg                             | Lower leg, Right                  | 1        |
| 18 | 71018      | Tornillo Allen-Screw Tceib M8X18 Din 7984                        | Bolt, Allen M8X18 Din 7984        | 1        |
| 19 | 71019      | Cto. Tornillo Regulacion- Group Lock Screw Hydraulic Pump        | Group, Hydraulic dampener end cap | 1        |
| 20 | 71020      | Cono Limitador Derecho-Cone Limit Right                          | Alignment cone,                   | 1        |
| 21 | 71021      | Cartucho Hidraulico-Group Cartridge                              | Group, Cartridge                  | 1        |
| 22 | 71022      | Anillo Tope Muelle-Support Ring For Spring Limit                 | Guide Ring, Limit spring          | 1        |
| 23 | 71023      | Kit Toricas-Group Rings Seal                                     | O-ring kit                        | 1        |
| 24 | 04000TR100 | Conjunto Horquilla Delantera                                     | Front suspension, complete        | 1        |

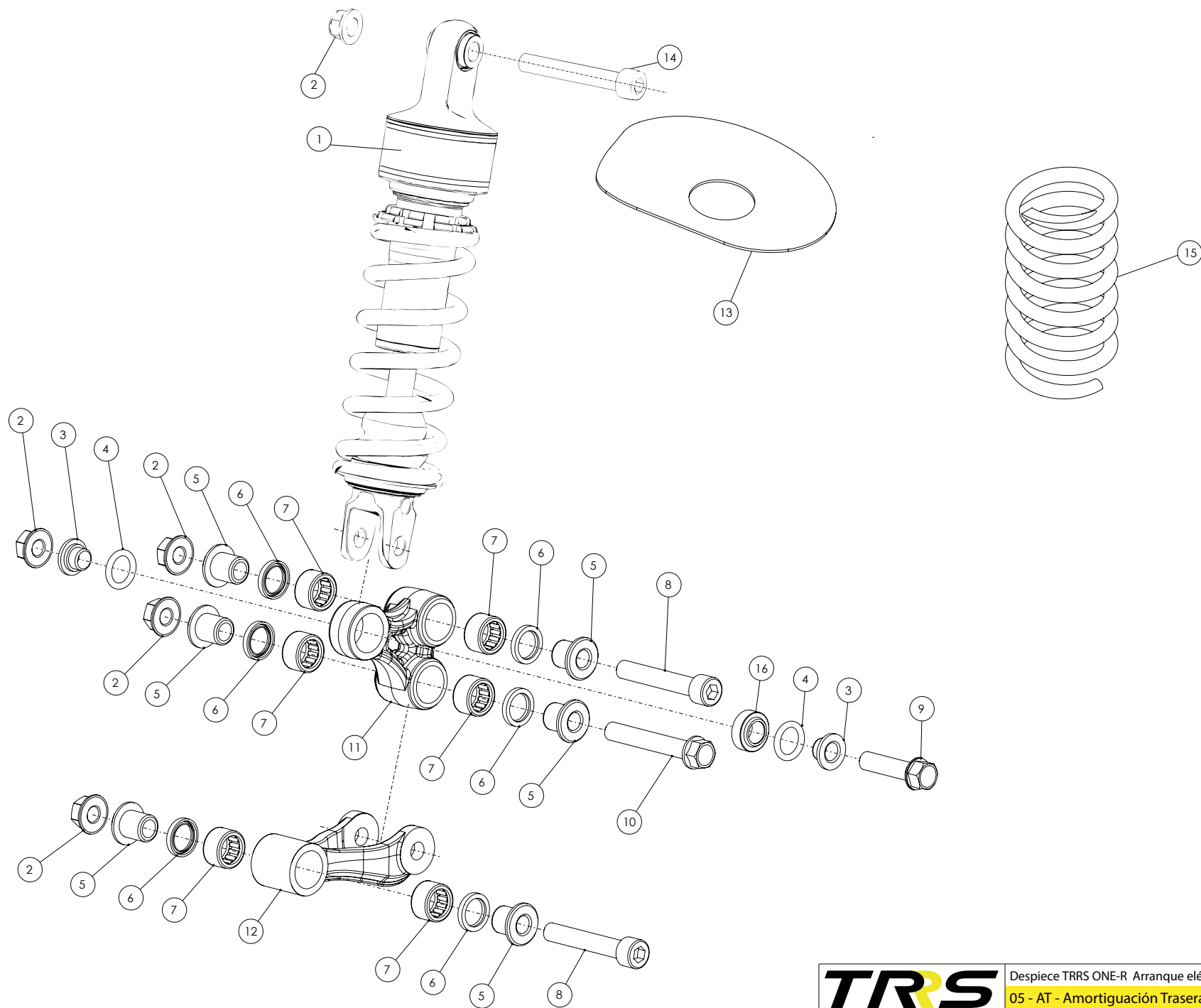


D

C

B

A



Despiece TRRS ONE-R Arranque eléctrico/ Electric Start 2021  
 05 - AT - Amortiguación Trasera - Explosionado  
 TRRS Motorcycles



## Despiece TRRS ONE-R Arranque eléctrico/Electric Start 2021

## 05 - AT - Amortiguación Trasera - Listado de Piezas

| Nº | Código            | Descripción   | Description   | Cantidad |
|----|-------------------|---|---|----------|
| 1  | <b>05013TR100</b> | Amortiguador Reiger 1 via                               | <i>Damper Reiger 1 way</i>                                  | <b>1</b> |
| 2  | <b>51503</b>      | Tuerca Autoblocante M10x1.25                            | <i>Nut, self locking M10x1.25</i>                           | <b>5</b> |
| 3  | <b>70501</b>      | Casquillo Distanciador Trapecio - Amortiguador          | <i>Spacer bushing, linkage - Shock absorber</i>             | <b>2</b> |
| 4  | <b>53002</b>      | Tórica Trapecio - Amortiguador                          | <i>O-ring, linkage - Shock absorber</i>                     | <b>2</b> |
| 5  | <b>05002TR100</b> | Casquillo Trapecio                                      | <i>Bushing, linkage</i>                                     | <b>6</b> |
| 6  | <b>54002</b>      | Retén 15x21x3   | <i>Seal, 15x21x3</i>  | <b>6</b> |
| 7  | <b>52502</b>      | Rodamiento NH-1512                                      | <i>Bearing, NH 1512</i>                                     | <b>6</b> |
| 8  | <b>50108</b>      | Tornillo DIN 912 M10x60 - 1,25 - Bieleta Chasis         | <i>Bolt, DIN 912 M10x60 - 1.25 - linkage arm to chassis</i> | <b>2</b> |
| 9  | <b>50905</b>      | Tornillo DIN 6921 M10x43 - 1,25 - Trapecio Amortiguador | <i>Bolt, DIN 6921 M10x43 - 1.25 - shock linkage</i>         | <b>1</b> |
| 10 | <b>50906</b>      | Tornillo DIN 6921 M10x65 - 1,25 - Trapecio Bieleta      | <i>Bolt, DIN 6921 M10x65 - 1.25 - shock linkage</i>         | <b>1</b> |
| 11 | <b>05003TR100</b> | Trapecio TRS  | <i>Rocker link</i>  | <b>1</b> |
| 12 | <b>05004TR100</b> | Bieleta   | <i>Connecting link</i>                                      | <b>1</b> |
| 13 | <b>05005TR100</b> | Goma Amortiguador - Caja Filtro                         | <i>Rubber shock absorber sealing flap - air filter box</i>  | <b>1</b> |
| 14 | <b>50109</b>      | Tornillo M10x65x1,25 (10.9)                             | <i>Bolt M10x65x1,25 (10.9)</i>                              | <b>1</b> |
| 15 | <b>70519</b>      | Muelle Reiger (1 via) 80 N/mm                           | <i>Reiger Spring 80 N/mm</i>                                | <b>1</b> |

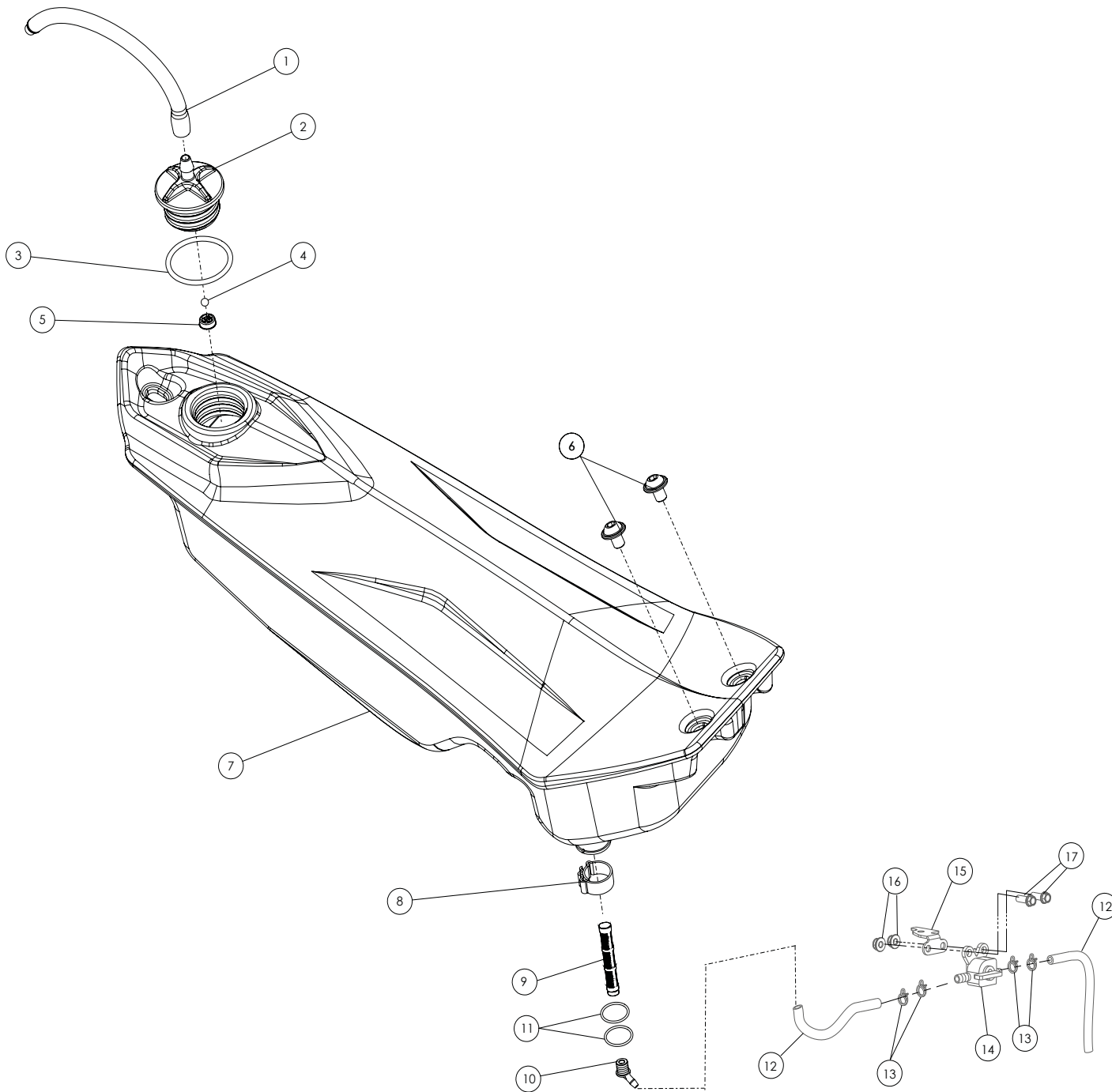


D

C

B

A

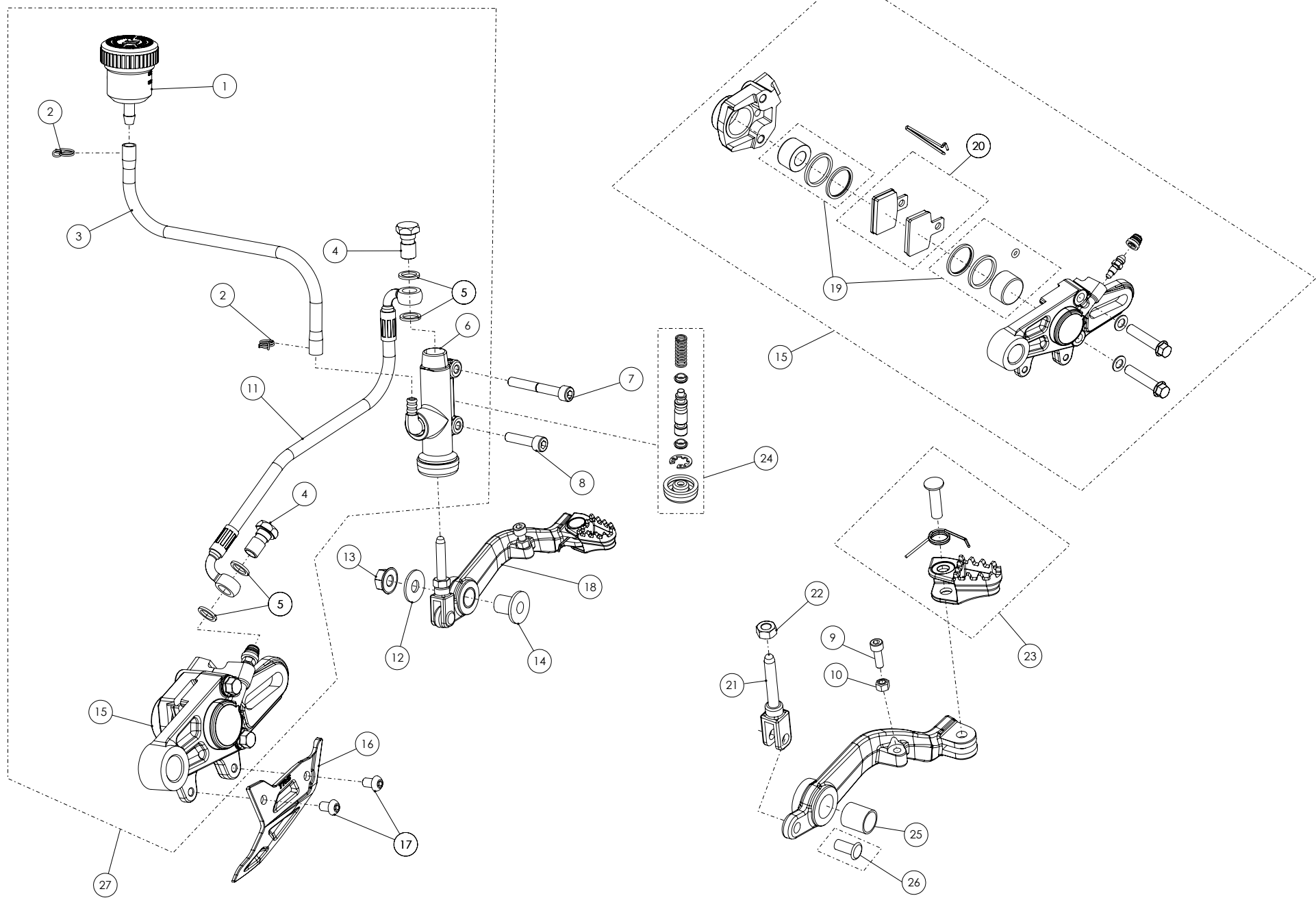


## Despiece TRRS ONE-R Arranque eléctrico/Electric Start 2021

06 - CD - Conjunto Depósito - Listado de Piezas

| Nº | Código     | Descripción                             | Description                       | Cantidad |
|----|------------|---|-----------------------------------|----------|
| 1  | 62001      | Tubo Desvaporizador Tapón Gasolina      | Fuel cap vent hose                | 1        |
| 2  | 06001TR100 | Tapón Depósito                          | Fuel cap                          | 1        |
| 3  | 53001      | Tórica Tapón Depósito 29.82x2.62        | O-ring, fuel cap 29.82x2.62       | 1        |
| 4  | 60001      | Bola Válvula Tapón                      | Check-ball, cap vent              | 1        |
| 5  | 06002TR100 | Cierre Válvula Tapón Depósito           | Cap, check-ball fuel tank valve   | 1        |
| 6  | 50203      | Tornillo DIN 7380-FL M6x10 - Depósito   | Bolt, DIN 7380-FL Fuel tank M6x10 | 2        |
| 7  | 06003TR101 | Depósito Gasolina 2018                  | Fuel tank                         | 1        |
| 8  | 58007      | Abrazadera Cobra 17                     | Clamp, Cobra 17                   | 1        |
| 9  | 70128      | Filtro gasolina roscado                 | Fuel filter threaded              | 1        |
| 10 | 06004TR100 | Salida deposito gasolina                | Output fuel tank                  | 1        |
| 11 | 53026      | Torica 9,5x2                            | O-ring 9,5x2                      | 2        |
| 12 | 62102      | Tubo goma grifo gasolina                | Fuel tap hose                     | 2        |
| 13 | 58021      | Abrazadera alambre                      | Wire clamp                        | 4        |
| 14 | 70127      | Grifo gasolina en linea (leva metalica) | In line fueltap (metal lever)     | 1        |
| 15 | 17016TR100 | Soporte grifo gasolina                  | Fuel tap support                  | 1        |
| 16 | 51501      | Tuerca Autoblocante M6                  | Locknut M6                        | 2        |
| 17 | 50903      | Tornillo DIN 691 M6x16                  | Bolt, DIN 6921 M6x16              | 2        |





## Despiece TRRS ONE-R Arranque eléctrico/Electric Start 2021

## 07 - FT - Freno Trasero - Listado de Piezas

| Nº | Código     | Descripción                                       | Description                                   | Cantidad |
|----|------------|---|---|----------|
| 1  | 70302      | Depósito Aceite Freno TRS                         | Brake fluid reservoir TRS                     | 1        |
| 2  | 58008      | Clip Tubo Freno                                   | Clip, brake hose                              | 2        |
| 3  | 07009TR100 | Tubo depósito Freno Trasero                       | Hose tank rear brake                          | 1        |
| 4  | 70304      | Racord  | Banjo bolt                                    | 2        |
| 5  | 56101      | Arandela CU 10x14x1,5                             | Washer, CU 10x14x1.5                          | 4        |
| 6  | 70305      | Bomba Freno Trasero                               | Pump, rear brake                              | 1        |
| 7  | 50103      | Tornillo DIN 912 M6x45 - Bomba Freno - Escape     | Bolt, DIN 912 M6x45 - Brake pump - exhaust    | 1        |
| 8  | 50110      | Tornillo DIN 912 M6x25 - Bomba Freno Inferior     | Bolt, DIN 912 M6x25 - Brake pump - lower      | 1        |
| 9  | 50111      | Tornillo DIN 912 M5x15 - Tensor Pedal Freno       | Bolt, DIN 912 M5x15 - Brake pedal height adj. | 1        |
| 10 | 51104      | Tuerca DIN 934 M5 Tensor Pedal Freno              | Nut, DIN 934 M5 - Brake pedal height adj.     | 1        |
| 11 | 70306      | Latiguillo Freno Trasero                          | Hose, rear brake                              | 1        |
| 12 | 56304      | Arandela Pedal Freno DIN 9021 M8                  | Washer, brake pedal DIN 9021 M8               | 1        |
| 13 | 51502      | Tuerca Autoblocante M8 - Pedal Freno              | Nut, self locking M8 - Brake pedal            | 1        |
| 14 | 07001TR100 | Casquillo Pedal Freno                             | Bushing, brake pedal                          | 1        |
| 15 | 70307      | Conjunto Pinza Freno Trasero                      | Rear brake caliper, complete                  | 1        |
| 16 | 07002TR101 | Protector Disco Trasero                           | Disc protector, rear                          | 1        |
| 17 | 50204      | Tornillo DIN 7380 M6X10 - Protector Disco Trasero | Bolt, DIN 7380 M6x10 - Rear disc protector    | 2        |
| 18 | 07003TR100 | Conjunto Palanca Freno                            | Brake pedal, complete                         | 1        |
| 19 | 70309      | Kit Reparación Pinza Trasera                      | Repair kit, rear caliper                      | 1        |
| 20 | 70310      | Juego Pastillas Freno Trasero                     | Brake pad set, rear                           | 1        |
| 21 | 70311      | Barilla freno                                     | Push-rod, rear brake pedal                    | 1        |
| 22 | 51101      | Tuerca DIN 934 M6 - Barilla Freno                 | Lock nut, DIN 934 M6 - Pedal push-rod         | 1        |
| 23 | 70312      | Kit Reparación Puntera Palanca Freno              | Repair kit, brake pedal tip                   | 1        |
| 24 | 70313      | Kit Pistón Bomba Freno                            | Repair kit, rear brake pump (master cylinder) | 1        |
| 25 | 57003      | Glacier 15mm                                      | Bushing, brake pedal interior 15mm            | 1        |
| 26 | 65003      | Remache semitubular 6mm                           | Compression rivot, 6                          | 1        |
| 27 | 70301      | Conjunto freno trasero                            | Kit, rear brake                               | 1        |

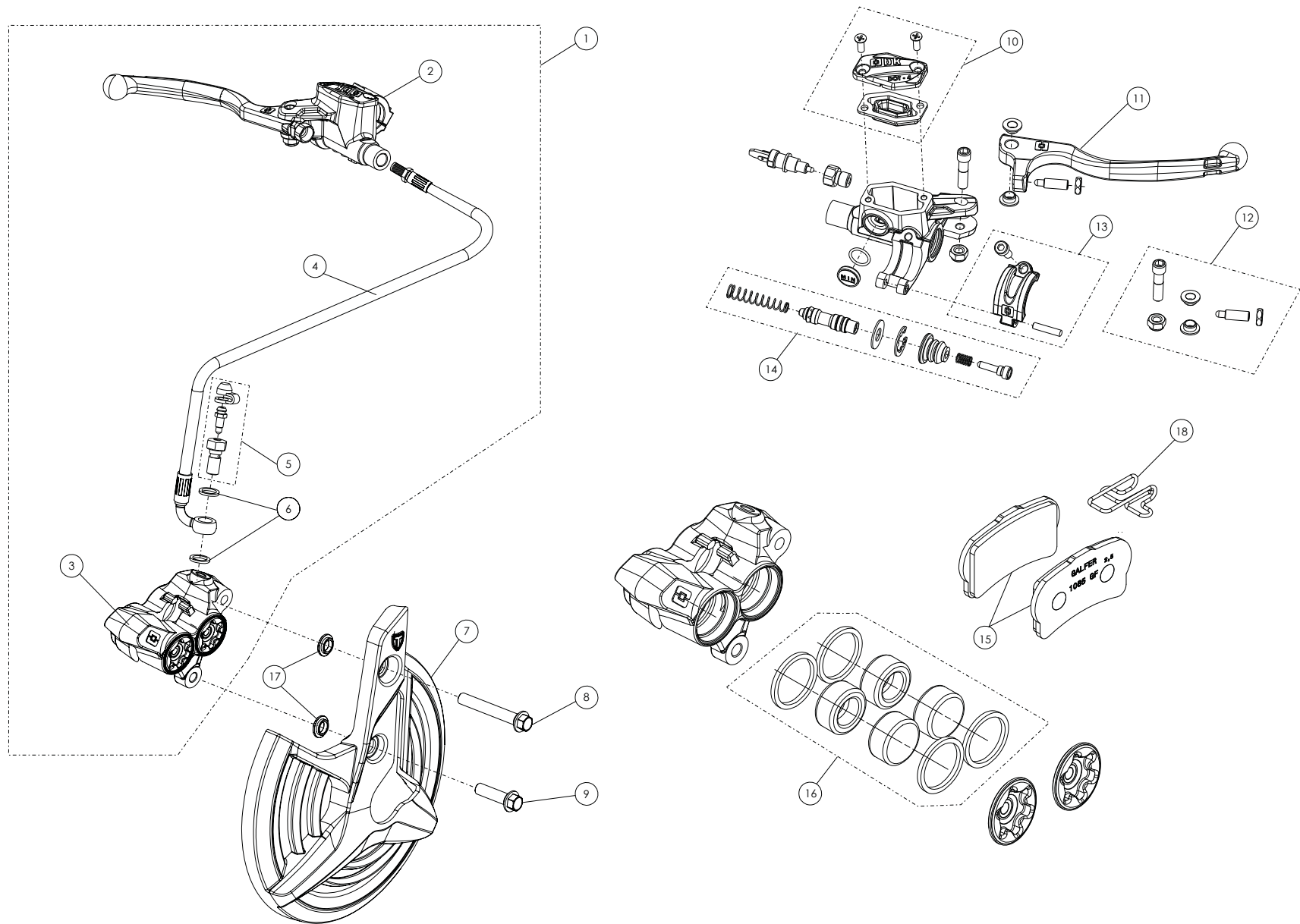


D

C

B

A



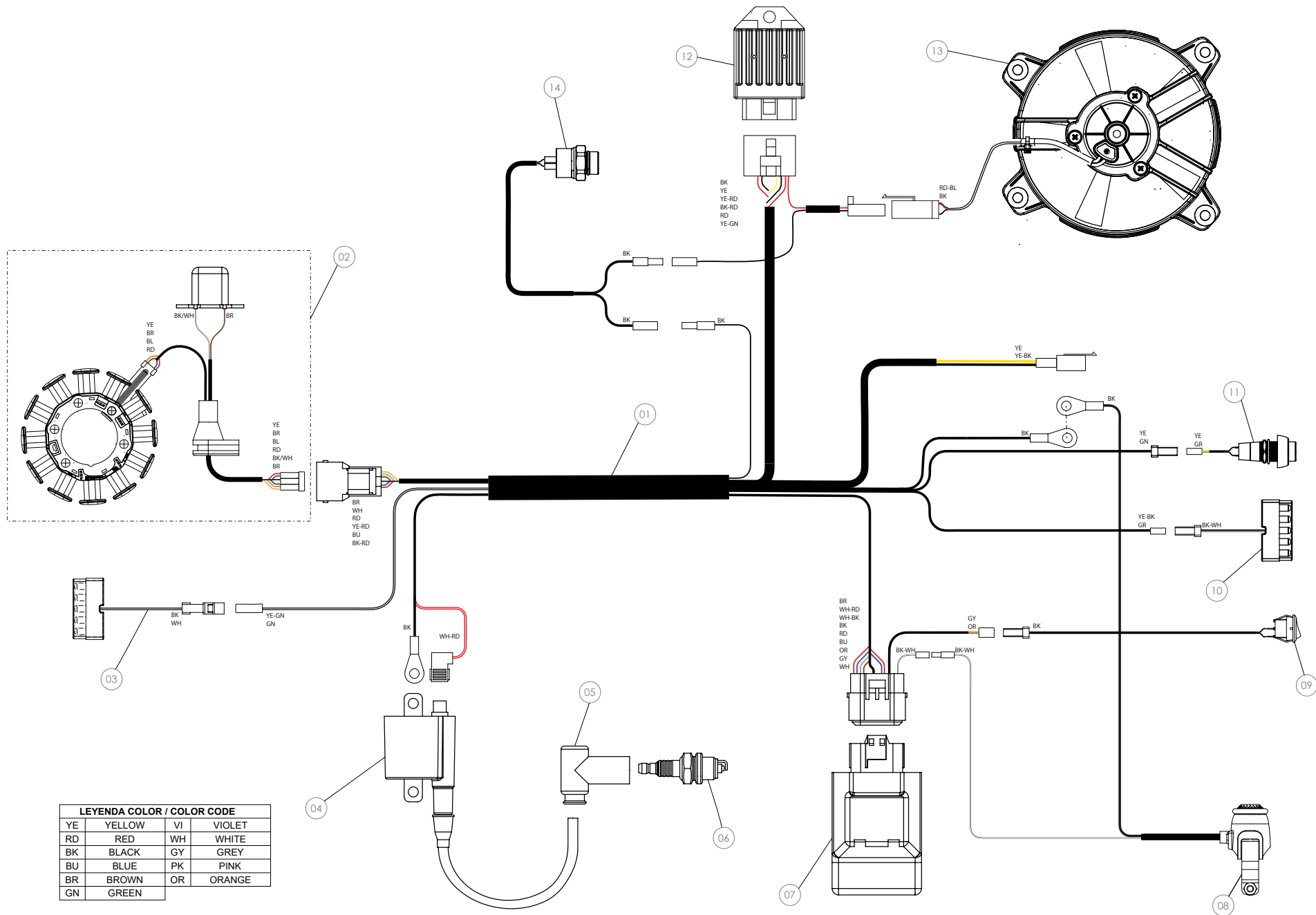


## Despiece TRRS ONE-R Arranque eléctrico/Electric Start 2021

## 08 - FD - Freno Delantero - Listado de Piezas

| Nº | Código            | Descripción                            | Description                                       | Cantidad |
|----|-------------------|--|---|----------|
| 1  | <b>70366</b>      | Conjunto Freno Delantero Racing        | <i>Complete front brake assembly Racing</i>       | 1        |
| 2  | <b>70368</b>      | Bomba Freno Delantero Racing           | <i>Pump Racing, front brake (master cylinder)</i> | 1        |
| 3  | <b>70367</b>      | Pinza Freno Delantero Racing           | <i>Caliper Racing, front brake</i>                | 1        |
| 4  | <b>70353</b>      | Latiguillo freno delantero             | <i>Hose, front brake</i>                          | 1        |
| 5  | <b>70354</b>      | Racord + Sangrador                     | <i>Bajo bolt</i>                                  | 1        |
| 6  | <b>56101</b>      | Arandela CU 10x14x1,5                  | <i>Washer, CU 10x14x1.5</i>                       | 2        |
| 7  | <b>08001TR101</b> | Protector Disco                        | <i>Disc protector, front</i>                      | 1        |
| 8  | <b>50901</b>      | Tornillo DIN 6921 M8x40 - Pinza Freno  | <i>Bolt, DIN 6921 M8x40 - Brake caliper</i>       | 1        |
| 9  | <b>50907</b>      | Tornillo DIN 6921 M8x30 - Pinza Freno  | <i>Bolt, DIN 6921 M8x30 - Brake caliper</i>       | 1        |
| 10 | <b>70369</b>      | Kit Tapa Bomba                         | <i>Kit, brake pump cap</i>                        | 1        |
| 11 | <b>70370</b>      | Maneta Freno Racing                    | <i>Racing Brake handle (lever)</i>                | 1        |
| 12 | <b>70357</b>      | Kit Ajuste Maneta                      | <i>Kit, handle adjustment</i>                     | 1        |
| 13 | <b>70358</b>      | Kit Brida Manillar                     | <i>Kit, handlebar clamp</i>                       | 1        |
| 14 | <b>70359</b>      | Kit Reparación Bomba                   | <i>Kit, pump internal repair</i>                  | 1        |
| 15 | <b>70371</b>      | Juego Pastillas Freno Delantero Racing | <i>Brake pad set Racing, front</i>                | 1        |
| 16 | <b>70372</b>      | Kit Reparación Pinza Freno Racing      | <i>Kit, rear caliper repair Racing</i>            | 1        |
| 17 | <b>08002TR100</b> | Casquillo Protector Disco Delantero    | <i>Bushing, front disc protector</i>              | 2        |
| 18 | <b>70386</b>      | Muelle pastilla frenos                 | <i>Clip pad brake</i>                             | 1        |





| LEYENDA COLOR / COLOR CODE |        |    |        |
|----------------------------|--------|----|--------|
| YE                         | YELLOW | VI | VIOLET |
| RD                         | RED    | WH | WHITE  |
| BK                         | BLACK  | GY | GREY   |
| BU                         | BLUE   | PK | PINK   |
| BR                         | BROWN  | OR | ORANGE |
| GN                         | GREEN  |    |        |



Despiece TRRS ONE-R Arranque eléctrico/ Electric Start 2021  
**09 - IE - Instalación Eléctrica - Explosionado**  
 TRRS Motorcycles



## Despiece TRRS ONE-R Arranque eléctrico/Electric Start 2021

## 09 - IE - Instalación Eléctrica - Listado de Piezas

| Nº | Código            | Descripción  | Description  | Cantidad |
|----|-------------------|--|--|----------|
| 1  | <b>09002TR100</b> | Conjunto Instalación eléctrica                     | <i>Complete electrical system</i>                            | <b>1</b> |
| 2  | <b>70225</b>      | Stator + Pick up - (véase (07) en lámina 08)       | <i>Stator and pickup (see (07) in drawing 08 - Ignition)</i> | <b>1</b> |
| 3  | <b>70202</b>      | Led trasero - (véase (07) en lámina 02)            | <i>Rear LED lamp</i>   | <b>1</b> |
| 4  | <b>70203</b>      | Bobina - (véase (38) en lámina 01)                 | <i>Coil</i>  | <b>1</b> |
| 5  | <b>70204</b>      | Pipa Bujía   | <i>Cap, spark plug</i>                                       | <b>1</b> |
| 6  | <b>70205</b>      | Bujía NGK BPMRGA - (véase (01) en lámina 07 MT)    | <i>Spark plug NGK BPMRGA</i>                                 | <b>1</b> |
| 7  | <b>70206</b>      | Caja CDI - (véase (32) en lámina 01)               | <i>CDI (black box)</i>                                       | <b>1</b> |
| 8  | <b>70207</b>      | Botón paro - (véase (20) en lámina 04)             | <i>Engine stop button</i>                                    | <b>1</b> |
| 9  | <b>70208</b>      | Interruptor Curva CDI - (véase (05) en lámina 04)  | <i>Igniton map switch (see (05) in drawing 04- Fork)</i>     | <b>1</b> |
| 10 | <b>70209</b>      | Led Delantero - (véase (03) en lámina 04)          | <i>Front LED lamp (see item (03) in drawing 04)</i>          | <b>1</b> |
| 11 | <b>70210</b>      | Pulsador Led - (véase (06) en lámina 04)           | <i>Switch, LED lamps</i>                                     | <b>1</b> |
| 12 | <b>70239</b>      | Regulador A/C 12V                                  | <i>Voltage regulator, 12V A/C</i>                            | <b>1</b> |
| 13 | <b>70234</b>      | Ventilador - (véase (03) en lámina 13)             | <i>Cooling fan motor assembly</i>                            | <b>1</b> |
| 14 | <b>70214</b>      | Termocontacto Radiador - (véase (08) en lámina 13) | <i>Thermostatic switch, cooling fan motor</i>                | <b>1</b> |

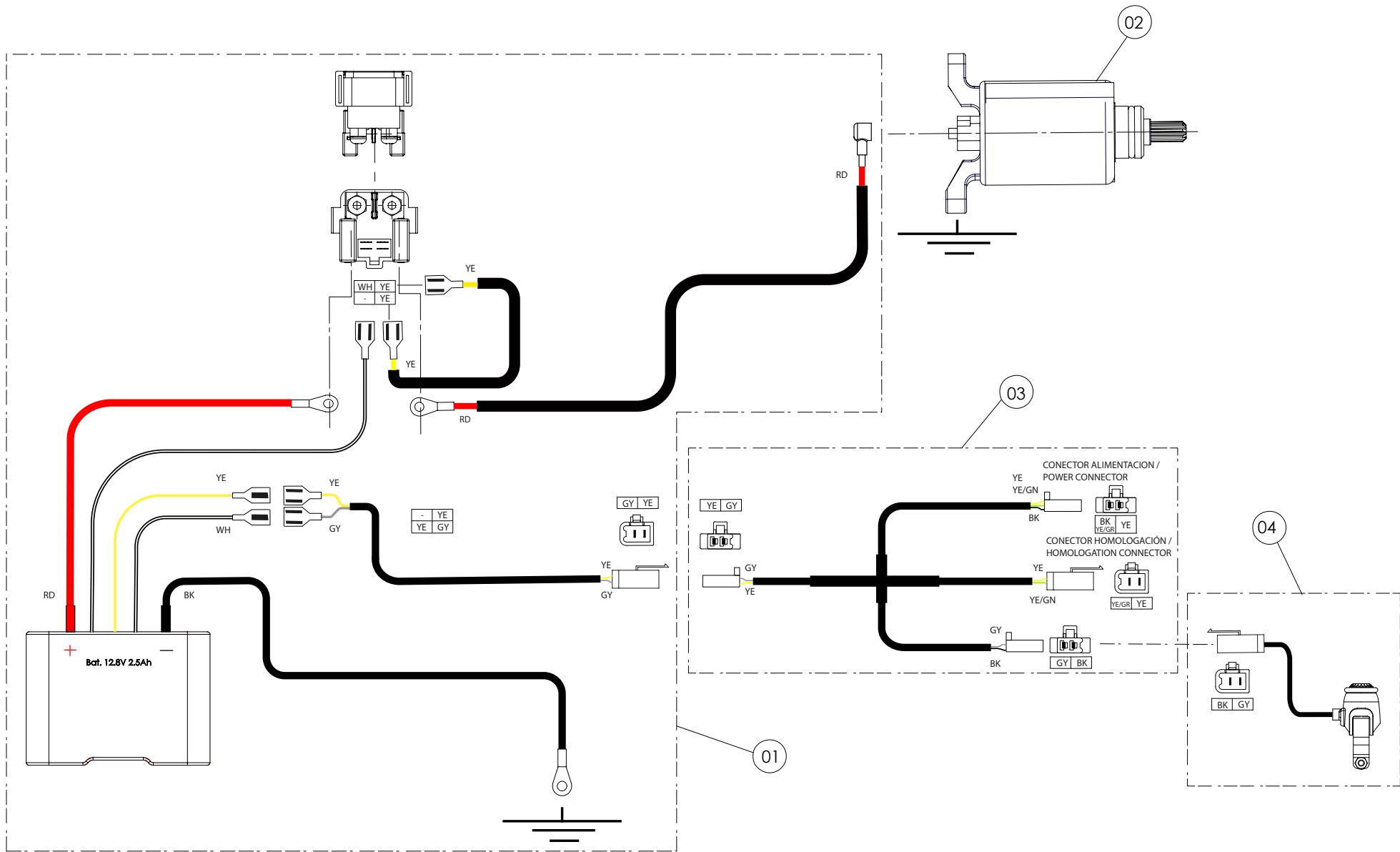


D

C

B

A



| LEYENDA COLOR / COLOR CODE |        |    |       |
|----------------------------|--------|----|-------|
| YE                         | YELLOW | GY | GREY  |
| RD                         | RED    | GN | GREEN |
| BK                         | BLACK  |    |       |



Despiece TRRS ONE-R Arranque eléctrico/ Electric Start 2021  
**09B- IA- Instalación Arranque eléctrico - Explosionado**  
 TRRS Motorcycles



## Despiece TRRS ONE-R Arranque eléctrico/Electric Start 2021

.09B- IA- Instalación Arranque eléctrico - Listado de piezas

| Nº | Código            | Descripción                          | Description                                   | Cantidad |
|----|-------------------|--------------------------------------|---|----------|
| 1  | <b>04028TR100</b> | Conjunto batería arranque electrico  | <i>Battery electric start set</i>             | 1        |
| 2  | <b>70243</b>      | Motor arranque                       | <i>Start Engine</i>                           | 1        |
| 3  | <b>09009TR100</b> | Ramal instalacion arranque electrico | <i>Branch wiring harness electric starter</i> | 1        |
| 4  | <b>09007TR100</b> | Pulsador de arranque con instalacion | <i>Starter button with hardness</i>           | 1        |

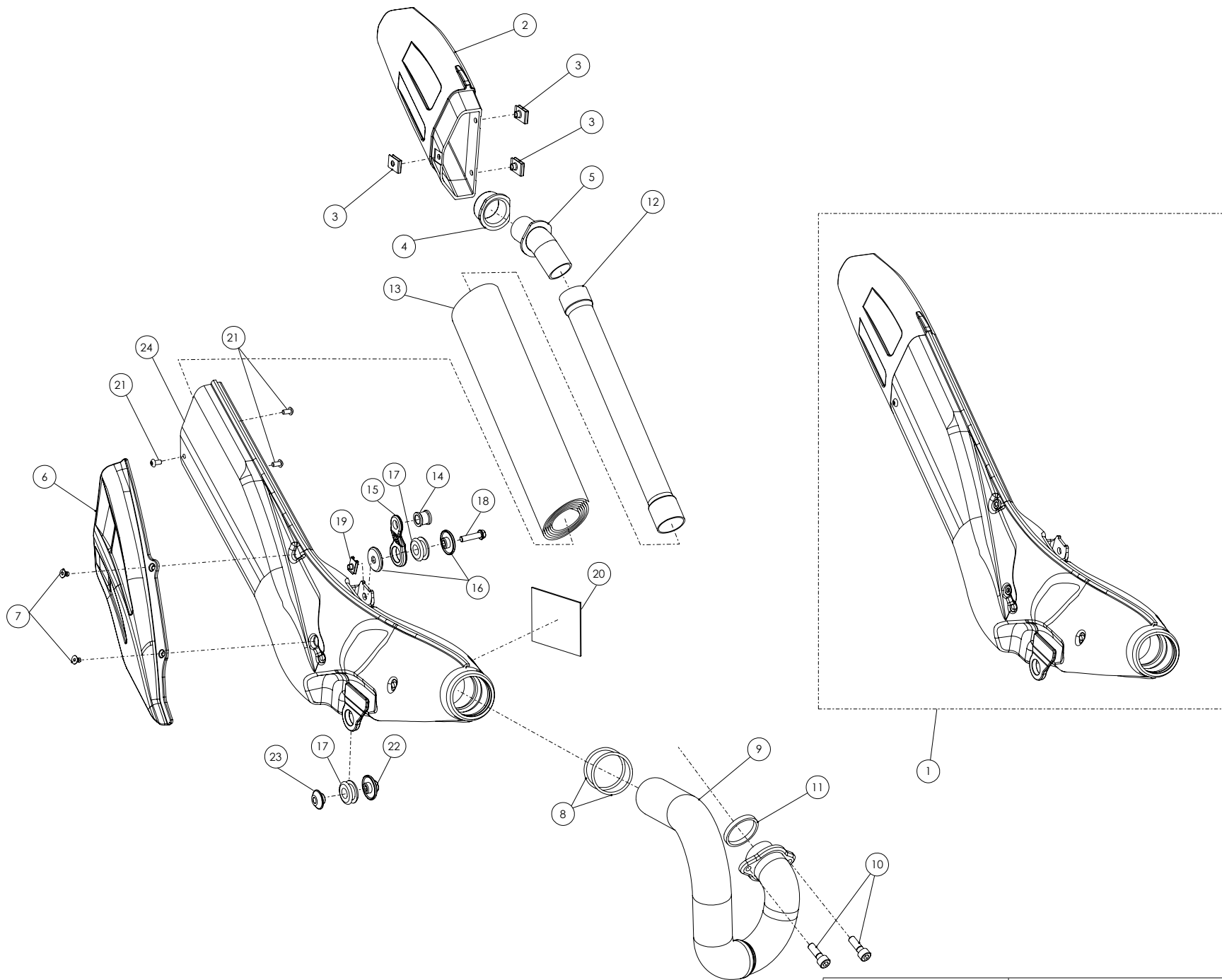


D

C

B

A



## Despiece TRRS ONE-R Arranque eléctrico/Electric Start 2021

## 10 - CE - Conjunto Escape - Listado de Piezas

| Nº | Código     | Descripción                               | Description                             | Cantidad |
|----|------------|---|---|----------|
| 1  | 10025TR100 | Conjunto escape arranque electrico        | Exhaust set electric starter            | 1        |
| 2  | 10002TR100 | Salida escape                             | End-cap, exhaust                        | 1        |
| 3  | 51302      | Tuerca Rápida Universal M5                | Speed nut, universal M5                 | 3        |
| 4  | 10003TR100 | Goma Cierre Silencioso                    | Rubber grommet, silencer end-cap        | 1        |
| 5  | 70601      | Tubo Salida Silencioso                    | Silencer exit tube                      | 1        |
| 6  | 10004TR100 | Protector escape                          | Protector exhaust                       | 1        |
| 7  | 50303      | Tornillo DIN 7991 M5x8 - Protector Escape | Bolt, DIN 7991 M5x8 - Exhaust protector | 2        |
| 8  | 53004      | Tórica 44x3                               | O-ring, 44x3                            | 2        |
| 9  | 10023TR100 | Curva Escape Inox                         | Exhaust pipe, Inox                      | 1        |
| 10 | 50807      | Tornillo DIN 912 M8x20                    | Bolt, DIN 912 M8x20                     | 2        |
| 11 | 10006TR100 | Junta Metálica Curva Escape               | Metal gasket, exhaust pipe              | 1        |
| 12 | 70602      | Tubo Interno Silencioso                   | Silencer internal tube                  | 1        |
| 13 | 70603      | Fibra Silencioso                          | Silencer fiber packing                  | 1        |
| 14 | 10007TR100 | Casquillo Soporte Escape Superior         | Bushing, exhaust support, upper         | 1        |
| 15 | 10016TR100 | Soporte superior escape                   | Upper exhaust support                   | 1        |
| 16 | 10022TR100 | Casquillo soporte escape                  | Buhsing exhaust support                 | 2        |
| 17 | 10019TR100 | Goma soporte                              | Damper rubber                           | 2        |
| 18 | 50908      | TornilloDIN 6921 M6x25                    | Bolt, DIN 6921 M6x25                    | 1        |
| 19 | 51301      | Tuerca Rápida Universal M6                | Speed-nut, Universal M6                 | 1        |
| 20 | 10026TR100 | Protector anticalórico escape             | Exhaust heat shield protector           | 1        |
| 21 | 50206      | Tornillo DIN 7380 M5x10                   | Bolt, DIN 7380 M5x10                    | 3        |
| 22 | 10020TR100 | Tuerca soporte inferior escape            | Nut lower exhaust support               | 1        |
| 23 | 10021TR100 | Casquillo soporte inferior escape         | Bushing lower exhasut support           | 1        |
| 24 | 10024TR100 | Silencioso arranque electrico             | Silencer electric starter               | 1        |







## Despiece TRRS ONE-R Arranque eléctrico/Electric Start 2021

## .11 - RD - Rueda Delantera - Listado de Piezas

| Nº | Código | Descripción   | Description                                    | Cantidad |
|----|--------|---|--|----------|
| 1  | 52101  | Rodamiento 6004   | Bearing, 6004                                  | 2        |
| 2  | 70701  | Casquillo Interior Buje                                   | Bushing, interior hub                          | 1        |
| 3  | 70714  | Conjunto llanta delantera (Buje blanco)                   | Front rim set (White hub)                      | 1        |
| 4  | 70363  | Disco de Freno Delantero TRS                              | Front brake disc rotor                         | 1        |
| 5  | 70364  | Casquillo Disco Freno                                     | Bushing, brake disc rotor                      | 4        |
| 6  | 50402  | Tornillo DIN 6921 M6                                      | Bolt, DIN 6921 M6                              | 4        |
| 7  | 70727  | Goma protector llanta R21                                 | Rim band R21                                   | 1        |
| 8  | 70728  | Camara delantera 2.75-21 Dunlop                           | Tube 2.75-21 Dunlop                            | 1        |
| 9  | 70726  | Neumatico delantero Dunlop 2.75-21                        | Tyre, front Dunlop 2.75x21                     | 1        |
| 10 | 70729  | Conjunto rueda delantera (buje negro, adhesivos ONE 2019) | Front wheel set (black hub, stickers ONE 2019) | 1        |
| 11 | 70712  | Conjunto Buje Delantero (blanco)                          | Complete front hub (white)                     | 1        |
| 12 | 70708  | Radios Rueda Delantera                                    | Spoke, front wheel                             | 32       |
| 13 | 70709  | Tuerca Radios Rueda Delantera                             | Spoke nipple (nuts), front wheel               | 32       |
| 14 | 70710  | Tapón Válvula Cámara                                      | Valve cap                                      | 1        |
| 15 | 51105  | Tuerca DIN 6923 M8  | Nut, DIN 6923 M8                               | 1        |
| 16 | 70711  | Agarre Cubierta   | Lock, Tyre to rim                              | 1        |

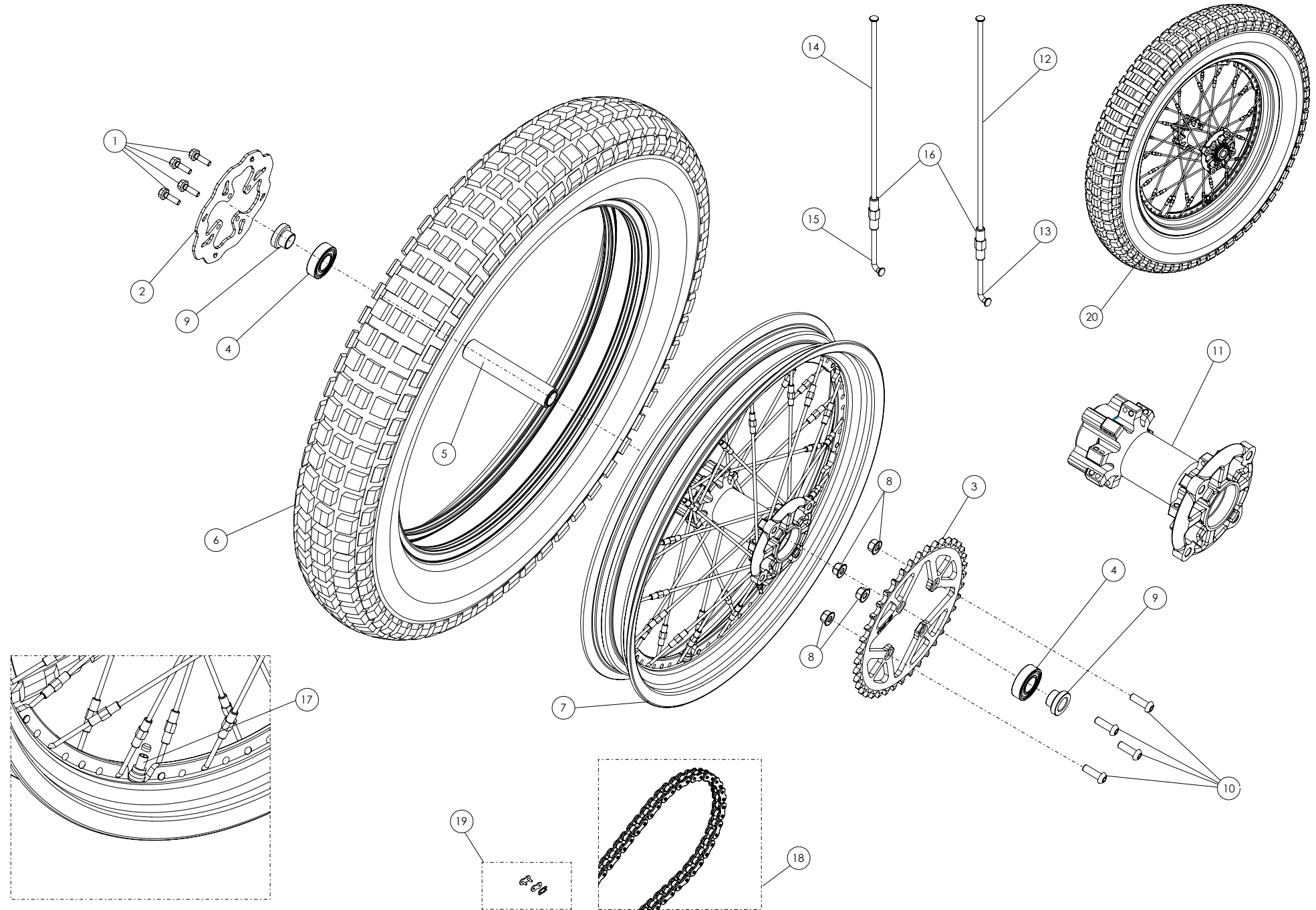


D

C

B

A



Despiece TRRS ONE-R Arranque eléctrico/ Electric Start 2021  
 12 - RT - Rueda Trasera - Explosionado  
 TRRS Motorcycles



## Despiece TRRS ONE-R Arranque eléctrico/Electric Start 2021

## .12 - RT - Rueda Trasera - Listado de Piezas

| Nº | Código            | Descripción   | Description   | Cantidad |
|----|-------------------|---|---|----------|
| 1  | <b>50402</b>      | Tornillo DIN6921 M6x20 - Disco Freno Trasero  | <i>Bolt, DIN 6921 M6x20 - Rear brake disc rotor</i>                 | 4        |
| 2  | <b>70314</b>      | Disco Freno Trasero TRS   | <i>Brake disc rotor, rear TRS</i>                                   | 1        |
| 3  | <b>12001TR100</b> | Corona 40   | <i>Sprocket 40T</i>   | 1        |
| 4  | <b>52101</b>      | Rodamiento 6004   | <i>Bearing, 6004</i>  | 2        |
| 5  | <b>70751</b>      | Casquillo Interior Buje   | <i>Bushing, interior hub</i>  | 1        |
| 6  | <b>70784</b>      | Neumático Trasero Dunlop 4.00 R18   | <i>Rear tyre Dunlop 4.00 R18</i>                                    | 1        |
| 7  | <b>70795</b>      | Cjto. Llanta trasera negra no aligerada, buje blanco.   | <i>Front rim set black not light rim, white hub</i>                 | 1        |
| 8  | <b>51402</b>      | Tuerca DIN 6927 Autoblocante M8 - Corona  | <i>Nut, DIN 6927 self locking M8 - Sprocket</i>                     | 4        |
| 9  | <b>12002TR100</b> | Casquillo Distanciador Rueda  | <i>Spacer bushing, wheel</i>  | 2        |
| 10 | <b>50207</b>      | Tornillo DIN 7380 M8x25 - Corona  | <i>Bolt, DIN 7380 M8x25 - Sprocket</i>                              | 4        |
| 11 | <b>70767</b>      | Buje Trasero (Blanco)   | <i>Rear hub (White)</i>   | 1        |
| 12 | <b>70755</b>      | Radio M4x0,7 LG. 175/18º - Lado Derecho   | <i>Spoke, M4x0.7 long 175/18 - Right side</i>                       | 16       |
| 13 | <b>70756</b>      | Radio M4x0,7 LG. 36/95º - Lado Derecho  | <i>Spoke, M4x0.7 short 36/95 - Right side</i>                       | 16       |
| 14 | <b>70757</b>      | Radio M4x0,7 LG. 165/12º - Lado Izquierdo   | <i>Spoke, M4x0.7 long 165/12 - Left side</i>                        | 16       |
| 15 | <b>70758</b>      | Radio M4x0,7 LG. 34,5/103º - Lado Izquierdo   | <i>Spoke, M4x0.7 short 34.5/103 - Left side</i>                     | 16       |
| 16 | <b>70759</b>      | Tuerca Radios Doble Rosca M4  | <i>Nipple (nut) double-end threaded M4</i>                          | 32       |
| 17 | <b>70760</b>      | Válvula   | <i>Valve</i>  | 1        |
| 18 | <b>70401</b>      | Cadena Transmisión  | <i>Drive chain</i>  | 1        |
| 19 | <b>70402</b>      | Enganche Cadena   | <i>Chain master-link</i>  | 1        |
| 20 | <b>70785</b>      | Cjto. Rueda trasera (Buje blanco, Llanta no mecanizada, adhesivo buje y llanta ONE R, neumático Dunlop) | <i>Rear wheel set (White hub, rim, stickers ONE R, Dunlop tyre)</i> | 1        |





## Despiece TRRS ONE-R Arranque eléctrico/Electric Start 2021

## .13 - CR - Conjunto Radiador - Listado de Piezas

| Nº | Código            | Descripción                                   | Description   | Cantidad |
|----|-------------------|---|---|----------|
| 1  | <b>13005TR100</b> | Protector Radiador                            | <i>Radiator protect</i>                                 | 1        |
| 2  | <b>50606</b>      | Tornillo 2,9x9,5 rosca chapa                  | <i>Screw 2.9x9.5</i>                                    | 2        |
| 3  | <b>13009TR100</b> | Radiador TRRS                                 | <i>Radiator TRRS</i>                                    | 1        |
| 4  | <b>63002</b>      | SilentBlock                                   | <i>Silentblock, (vibration isolator)</i>                | 3        |
| 5  | <b>53006</b>      | Tórica 12x15x1,5                              | <i>O-ring, 12x15x1.5</i>                                | 1        |
| 6  | <b>70214</b>      | Termocontacto - (véase en lámina 09 / Chasis) | <i>Water temperature sensor (see sheet 09 / Frame)</i>  | 1        |
| 7  | <b>58009</b>      | Abrazadera Cobra 22                           | <i>Hose clamp, Cobra 22</i>                             | 4        |
| 8  | <b>13003TR100</b> | Tubo agua derecho (Bomba- Radiador)           | <i>Water hose, right side (Water pump - Radiator)</i>   | 1        |
| 9  | <b>13002TR100</b> | Tubo agua izquierdo (Culata - Radiador)       | <i>Water hose, left side (Cylinder head - Radiator)</i> | 1        |
| 10 | <b>51301</b>      | Tuerca rápida M6                              | <i>Speed-nut M6</i>                                     | 5        |
| 11 | <b>70802</b>      | Casquillo superior silentblock radiador       | <i>Bushing, upper silentblock radiator</i>              | 1        |
| 12 | <b>50908</b>      | Tornillo M6x25                                | <i>Bolt, M6x25</i>                                      | 1        |
| 13 | <b>53015</b>      | Tórica Encendido 12x1.5 Nbr                   | <i>O-ring, ignition cap 12x1.5 Nbr</i>                  | 1        |
| 14 | <b>56102</b>      | Arandela cobre 8x12x1,5                       | <i>Copper washer, 8x12x1.5</i>                          | 1        |
| 15 | <b>13004TR100</b> | Tapón Radiador                                | <i>Radiator cap</i>                                     | 1        |
| 16 | <b>70801</b>      | Válvula expansión radiador                    | <i>Radiator expansion valve</i>                         | 1        |
| 17 | <b>70234</b>      | Ventilador                                    | <i>Fan</i>  | 1        |
| 18 | <b>58001</b>      | Abrazadera 60mm                               | <i>Clamp 60mm</i>                                       | 2        |
| 19 | <b>70239</b>      | Regulador ventilador DC                       | <i>Regulator fan DC</i>                                 | 1        |
| 20 | <b>50209</b>      | Tornillo allen con valona M6x14               | <i>Screw allen with washer M6x14</i>                    | 5        |
| 21 | <b>51501</b>      | Tuerca Autoblocante M6                        | <i>Locknut M6</i>                                       | 1        |
| 22 | <b>13011TR100</b> | Soporte regulador ventilador                  | <i>Fan regulator support</i>                            | 1        |
| 23 | <b>70219</b>      | Claxon  | <i>Horn</i>   | 1        |



5

4

3

2

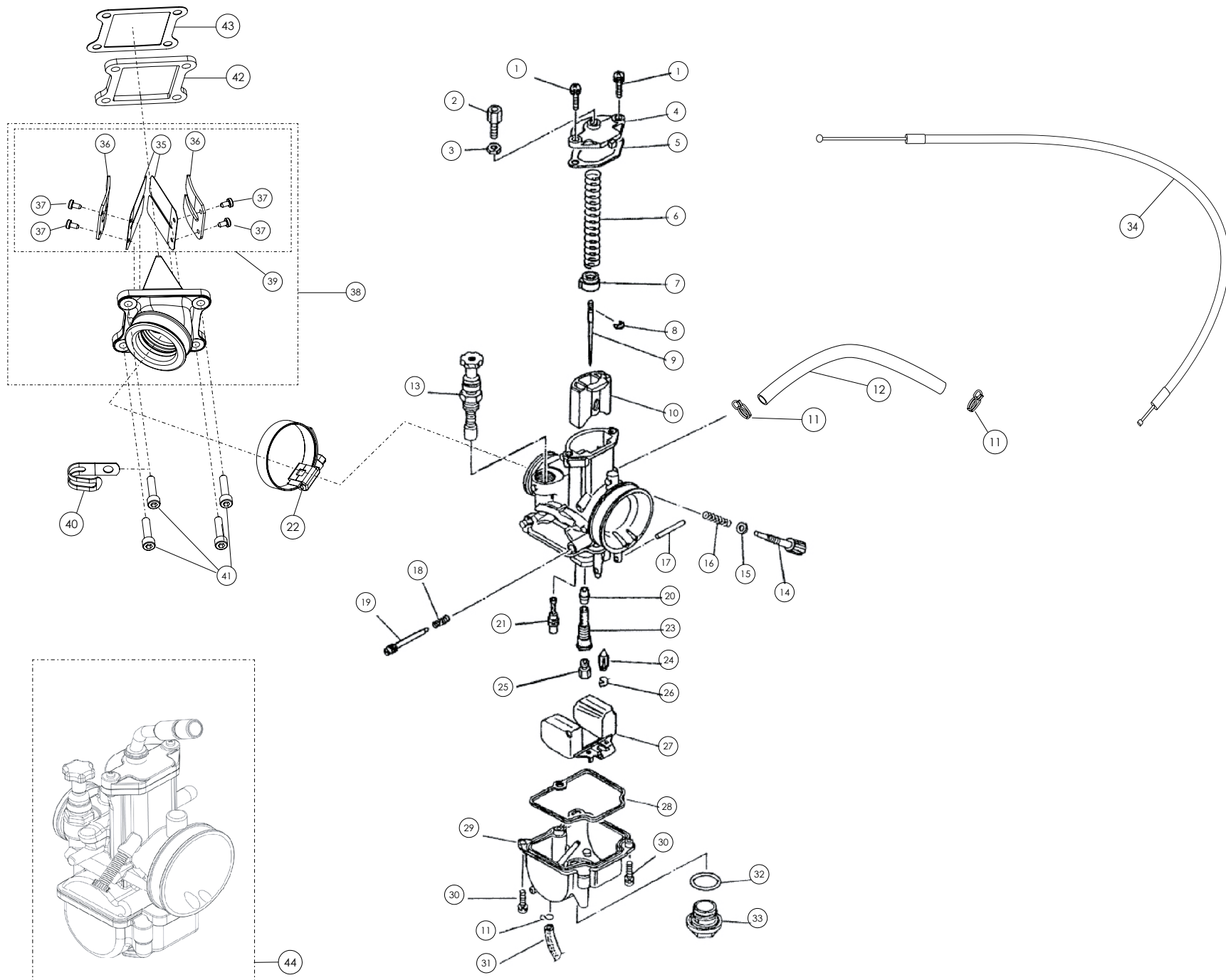
1

D

C

B

A



Despiece TRRS ONE-R Arranque eléctrico/ Electric Start 2021  
 14 - CC - Caja de Láminas y Carburador - Expl.  
 TRRS Motorcycles



## Despiece TRRS ONE-R Arranque eléctrico/Electric Start 2021

.14 - CC - Caja de Láminas y Carburador - Listado de Piezas

| Nº | Código       | Descripción           | Description                        | Cantidad |
|----|--------------|-----------------------|------------------------------------|----------|
| 1  | -            | -                     | Screw, top cover                   | -        |
| 2  | -            | -                     | Cable Adjuster                     | -        |
| 3  | -            | -                     | Nut, Cable Adjuster                | -        |
| 4  | -            | -                     | Top Cover                          | -        |
| 5  | -            | -                     | Gasket, Top                        | -        |
| 6  | -            | -                     | Spring, Throttle Valve             | -        |
| 7  | -            | -                     | Collar, Throttle Spring            | -        |
| 8  | -            | -                     | Clip, Jet Needle                   | -        |
| 9  | <b>72010</b> | Aguja JJH 4º Punto    | Jet Needl, JJH 4º step             | 1        |
| 10 | -            | -                     | Throttle Valve                     | -        |
| 11 | <b>58010</b> | Clip Tubo             | Fuel hose clip                     | 2        |
| 12 | <b>62002</b> | Tubo Gasolina         | Fuel hose                          | 1        |
| 13 | -            | -                     | Starter Valve (pull knob) Complete | -        |
| 14 | -            | -                     | Idle Adjuster                      | -        |
| 15 | -            | -                     | Washer, Idle Adjuster              | -        |
| 16 | -            | -                     | Spring, Idle Adjuster              | -        |
| 17 | -            | -                     | Float Pin                          | -        |
| 18 | -            | -                     | Spring, Air Adjuster               | -        |
| 19 | -            | -                     | Air Adjust Screw                   | -        |
| 20 | -            | -                     | Needle Jet                         | -        |
| 21 | <b>72006</b> | Chiclé bajas 48       | Slow Jet, 48                       | 1        |
| 22 | <b>58011</b> | Abrazadera Norma30/45 | Clamp, Norma 30/45                 | 1        |
| 23 | -            | -                     | Needle Jet Holder SDGAA            | -        |
| 24 | -            | -                     | Float Valve Complete               | -        |
| 25 | <b>72003</b> | Chiclé principal, 125 | Main Jet (hex type) 125            | 1        |
| 26 | -            | -                     | Clip, Float Valve                  | -        |
| 27 | -            | -                     | Float                              | -        |



## Despiece TRRS ONE-R Arranque eléctrico/Electric Start 2021

## .14 - CC - Caja de Láminas y Carburador - Listado de Piezas

| Nº | Código            | Descripción                  | Description                 | Cantidad |
|----|-------------------|------------------------------|-----------------------------|----------|
| 28 | -                 | -                            | Gasket, Float Bowl          | -        |
| 29 | -                 | -                            | Float Bowl Complete         | -        |
| 30 | -                 | -                            | Screw, Float Bowl           | -        |
| 31 | -                 | -                            | Overflow pipe               | -        |
| 32 | -                 | -                            | O-Ring, Plug Screw          | -        |
| 33 | -                 | -                            | Plug Screw                  | -        |
| 34 | <b>14004TR100</b> | Cable De Gas Regulable       | Throttle cable              | 1        |
| 35 | <b>70446</b>      | Láminas                      | Reed valves                 | 1        |
| 36 | <b>70445</b>      | Tope Metálico Láminas        | Metal stop, reeds           | 1        |
| 37 | <b>70444</b>      | Tornillo M3                  | Bolt, M3                    | 1        |
| 38 | <b>14005TR100</b> | Caja Láminas Completa Keihin | Complete reed cage assembly | 1        |
| 39 | <b>14008TR100</b> | Kit Láminas y Topes          | Kit, Reeds and stoppers     | 1        |
| 40 | <b>58001</b>      | Abrazadera 60mm              | Clamp 60mm                  | 1        |
| 41 | <b>50112</b>      | Tornillo Din 912 M5X20       | Bolt, DIN 912 M5x20         | 4        |
| 42 | <b>14006TR100</b> | Distanciador Caja de Láminas | Spacer, Reed valve cage     | 1        |
| 43 | <b>14007TR100</b> | Junta Caja Láminas           | Gasket, Reed valve cage     | 1        |
| 44 | <b>70452</b>      | Carburador Keihin PKW28      | Carburetor, Keihin PKW28    | 1        |



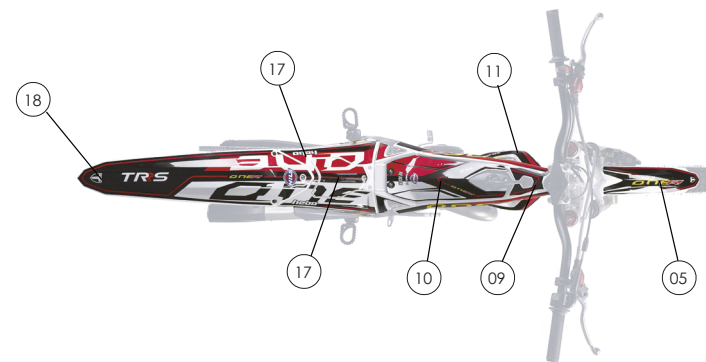
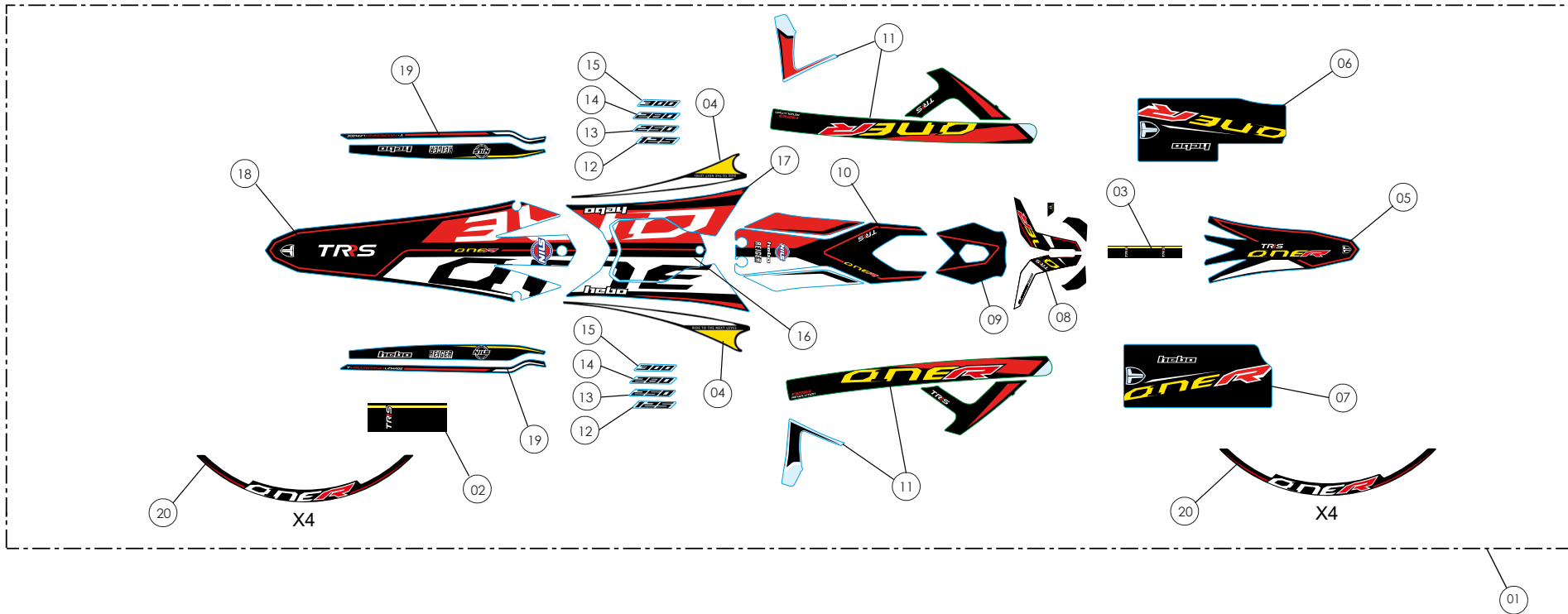


D

C

B

A

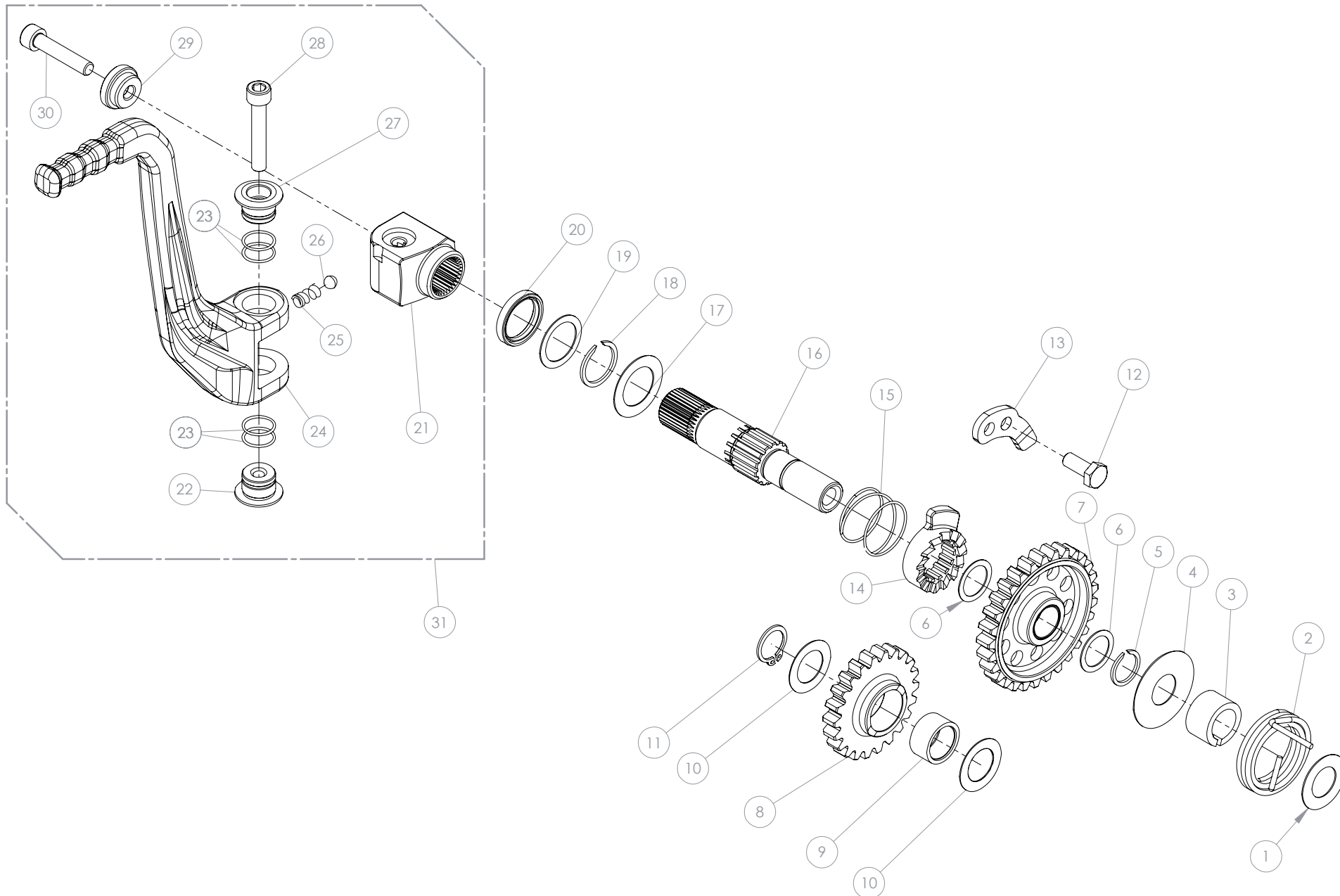


## Despiece TRRS ONE-R Arranque eléctrico/Electric Start 2021

15 - CA - Conjunto Adhesivos - Listado de piezas

| Nº | Código     | Descripción  | Description                                      | Cantidad |
|----|------------|--|--|----------|
| 1  | 15074TR200 | Conjunto Adhesivos One RR 2021 Arranque eléctrico  | Sticker kit, One RR 2021 Electric start          | 1        |
| 2  | 15011TR101 | Adhesivo Buje Trasero                              | Sticker, rear hub                                | 1        |
| 3  | 15010TR101 | Adhesivo Buje Delantero                            | Sticker, front hub                               | 1        |
| 4  | 15074TR109 | Adhesivos Lateral Caja de Filtro One R 2021        | Air filter box side One R 2021                   | 1        |
| 5  | 15074TR101 | Adhesivo Guardabarros Delantero One R 2021         | Sticker, front mudguard (fender) One R 2021      | 1        |
| 6  | 15074TR102 | Adhesivo Horquilla Izquierda One R 2021            | Sticker, fork-leg left One R 2021                | 1        |
| 7  | 15074TR103 | Adhesivo Horquilla Derecha One R 2021              | Sticker, fork-leg right One R 2021               | 1        |
| 8  | 15074TR117 | Adhesivo careta faro ONE-R arranque eléctrico 2021 | Sticker, headlamp mask ONE-R Electric start 2021 | 1        |
| 9  | 15073TR106 | Adhesivo Chasis Superior 2021                      | Sticker, upper frame 2021                        | 1        |
| 10 | 15074TR106 | Adhesivo Depósito One R 2021                       | Sticker, fuel tank One R 2021                    | 1        |
| 11 | 15074TR105 | Juego Adhesivos Chasis One R 2021                  | Stickers set, frame One R 2021                   | 1        |
| 12 | 15074TR110 | Adhesivos Cilindrada Negros - 125                  | Engine size Sticker (black) - 125                | 1        |
| 13 | 15074TR111 | Adhesivos Cilindrada Negros - 250                  | Engine size Sticker (black) - 250                | 1        |
| 14 | 15074TR112 | Adhesivos Cilindrada Negros - 280                  | Engine size Sticker (black) - 280                | 1        |
| 15 | 15074TR113 | Adhesivos Cilindrada Negros - 300                  | Engine size Sticker (black) - 300                | 1        |
| 16 | 15074TR107 | Adhesivo Tapa Caja de Filtro One R 2021            | Sticker, air filter access cover One R 2021      | 1        |
| 17 | 15074TR108 | Adhesivo Caja de Filtro One R 2021                 | Sticker, air filter box One R 2021               | 1        |
| 18 | 15074TR115 | Adhesivo Guardabarros Trasero One R 2021           | Sticker, rear mudguard (fender) One R 2021       | 1        |
| 19 | 15070TR114 | Adhesivo Basculante One R 2021                     | Sticker, swing-arm One R 2021                    | 1        |
| 20 | 15070TR116 | Conjunto Adhesivos Llanta ONE R                    | Wheel sticker set (rim) ONE R                    | 2        |





## Despiece TRRS ONE-R Arranque eléctrico/Electric Start 2021

01 - AP - Arranque Palanca - Listado de piezas

| Nº | Código     | Descripción                                    | Description  | Cantidad |
|----|------------|--|--|----------|
| 1  | 01001MT100 | Arandela Interna Arranque 25x14x0.5            | Washer, internal kick-start 25x14x0.5              | 1        |
| 2  | 01002MT101 | Muelle Arranque                                | Spring, kick-start                                 | 1        |
| 3  | 01018MT100 | Casquillo eje arranque                         | Spacer, kick starter                               | 1        |
| 4  | 01019MT100 | Arandela muelle arranque 14x35x0,5             | Washer, kick starter spring                        | 1        |
| 5  | 55010      | Circlip Arranque DIN-471 Ø14x1                 | Circlip, kick starter DIN-471Ø14 x1                | 1        |
| 6  | 01020MT100 | Arandela piñon arranque 14x19x0,5              | Washer, Kick starter gear                          | 2        |
| 7  | 01026MT100 | Piñon arranque                                 | Gear kick starter assembly                         | 1        |
| 8  | 01027MT100 | Piñon Intermedio Arranque                      | Gear, intermediate kick-start                      | 1        |
| 9  | 52513      | Rodamiento agujas Piñón Intermedio K15x19x10   | Bearing needle                                     | 1        |
| 10 | 01015MT100 | Arandela Piñon Intermedio Arranque 24x15x0.5   | Washer, intermediate kick-start gear 24x15x0.5     | 2        |
| 11 | 55002      | Circlip Piñón Intermedio Arranque 15X1 DIN-471 | Circlip, intermediate kick-start gear 15x1 DIN-471 | 1        |
| 12 | 50503      | Tornillo Hexagonal                             | Bolt hexagonal                                     | 1        |
| 13 | 01025MT100 | Chapa tope trinquete                           | Ratchet cam  | 1        |
| 14 | 01022MT100 | Trinquete arranque                             | Kick starter ratchet                               | 1        |
| 15 | 01023MT100 | Muelle trinquete arranque                      | Spring, kick starter ratched                       | 1        |
| 16 | 01024MT100 | Eje arranque                                   | Kick starter shaft                                 | 1        |
| 17 | 01028MT100 | Arandela Ø14Ø28x0.5                            | Washer   | 1        |
| 18 | 55011      | Circlip DIN-471 Ø18 x1.2                       | Circlip DIN-471Ø18 x1.2                            | 1        |
| 19 | 01008MT101 | Arandela Eje Arranque 18X24X0,5                | Washer, kick-start shaft 18x24x0.5                 | 1        |
| 20 | 54003      | Retén Arranque 18x24x4                         | Seal, kick-start 18x24x4                           | 1        |
| 21 | 01010MT100 | Muñequilla Pedal Arranque                      | Fulcrum, kick-start pedal                          | 1        |
| 22 | 01011MT100 | Casquillo Pedal Arranque - Inferior            | Bushing, kick-start pedal (lower)                  | 1        |
| 23 | 53007      | Tórica Muñequilla Nbr 12X1                     | O-ring, starter fulcrum Nbr 12x1                   | 4        |
| 24 | 01014MT100 | Pedal Arranque Trs                             | Pedal, kick-start                                  | 1        |
| 25 | 01013MT100 | Muelle posicionador palanca arranque           | Spring, kickstart position                         | 1        |
| 26 | 60002      | Bola Pedal Arranque F84Kug5,556                | Ball, kick-start retention                         | 1        |
| 27 | 01009MT100 | Casquillo Pedal Arranque - Superior            | Bushing, kick-start pedal (upper)                  | 1        |
| 28 | 50113      | Tornillo Pedal Arranque Din 912 M6X1X35        | Bolt, kick-start pedal DIN 912 M6x1x35             | 1        |
| 29 | 01012MT100 | Casquillo Sujeción Pedal - Muñequilla          | Retention bushing, kick-start pedal                | 1        |
| 30 | 50110      | Tornillo Din 912 M6X25 Muñequilla Arranque     | Bolt, Din 912 M6x25 kick-start fulcrum             | 1        |
| 31 | 01017MT100 | Conjunto Palanca                               | Set, Starting Pedal                                | 1        |

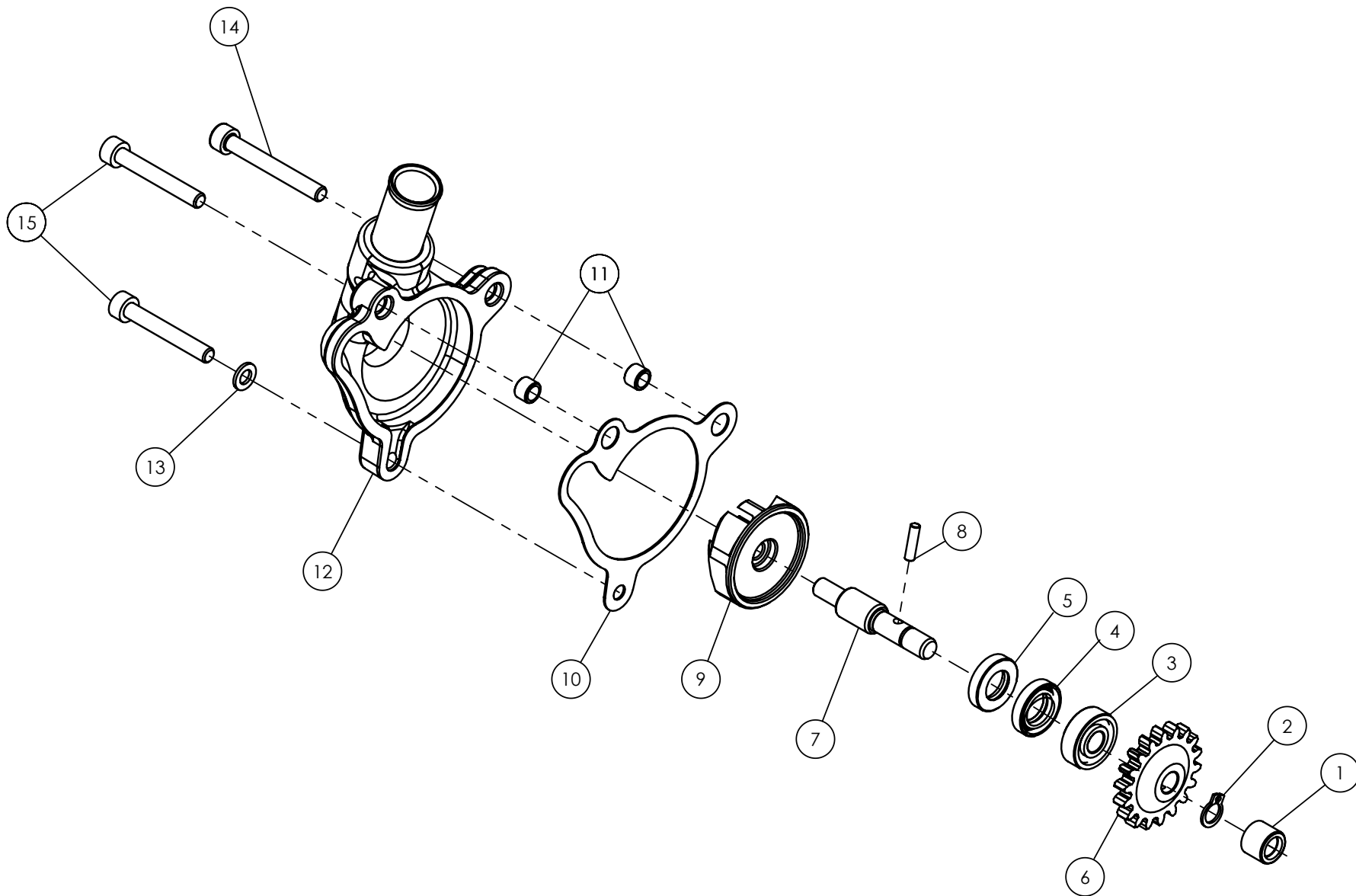


D

C

B

A



## Despiece TRRS ONE-R Arranque eléctrico/Electric Start 2021

## 02 - BA - Bomba Agua - Listado de Piezas

| Nº | Código     | Descripción                      | Description                           | Cantidad |
|----|------------|----------------------------------|---------------------------------------|----------|
| 1  | 52504      | Rodamiento Agujas HK0709         | Needle bearing HK0709                 | 1        |
| 2  | 55003      | Circlip 7x0,8 Din-471            | Circlip 7x0,8 Din-471                 | 1        |
| 3  | 52102      | Rodamiento Bomba 19x7x6 607      | Bearing, water-pump 19x7x6 607        | 1        |
| 4  | 54009      | Retén Bomba Agua 10x18x4 NBR     | Seal, water-pump 10x18x4 NBR          | 1        |
| 5  | 54004      | Retén Bomba Agua 10x18x4 Viton   | Seal, water-pump 10x18x4 Viton        | 1        |
| 6  | 02001MT100 | Piñón Bomba Agua                 | Gear, water-pump                      | 1        |
| 7  | 02002MT100 | Eje Bomba agua                   | Shaft, water pump                     | 1        |
| 8  | 61002      | Aguja Eje Piñon Bomba Ø3x12      | Needle, pump shaft gear Ø3X12         | 1        |
| 9  | 02003MT100 | Turbina Bomba Agua               | Turbine, water-pump                   | 1        |
| 10 | 02008MT100 | Junta Bomba Agua                 | Gasket, water-pump                    | 1        |
| 11 | 57005      | Casquillo Centrador Ø5x7x5       | Pivot Cap, Ø5x7x5                     | 2        |
| 12 | 02007MT100 | Tapa Bomba Agua                  | Cover, water-pump                     | 1        |
| 13 | 02006MT100 | Casquillo Manguito Agua          | Bushing, water rubber hose            | 1        |
| 14 | 56103      | Arandela Cooper Tapa Bomba 5x9x1 | Copper washer, water-pump cover 5x9x1 | 1        |
| 15 | 50115      | Tornillo Allen DIN 912 M5x40     | Bolt, Allen DIN 912 M5x40             | 1        |
| 16 | 50116      | Tornillo Allen DIN 912 M5x35     | Bolt, Allen DIN 912 M5x35             | 2        |



5

4

3

2

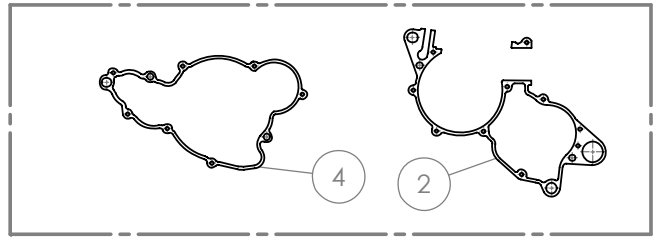
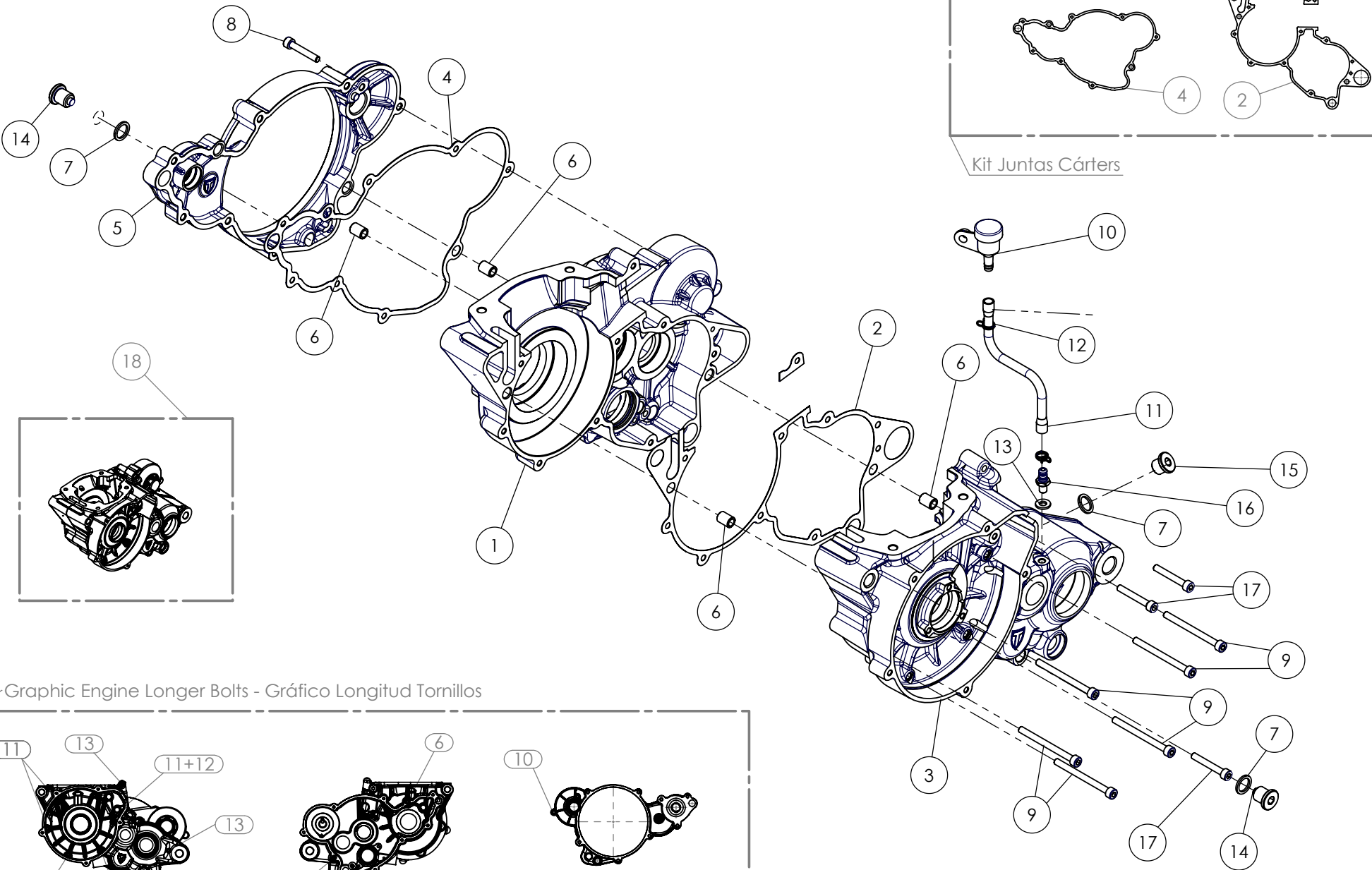
1

D

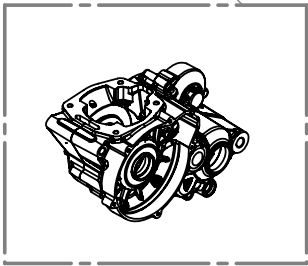
C

B

A

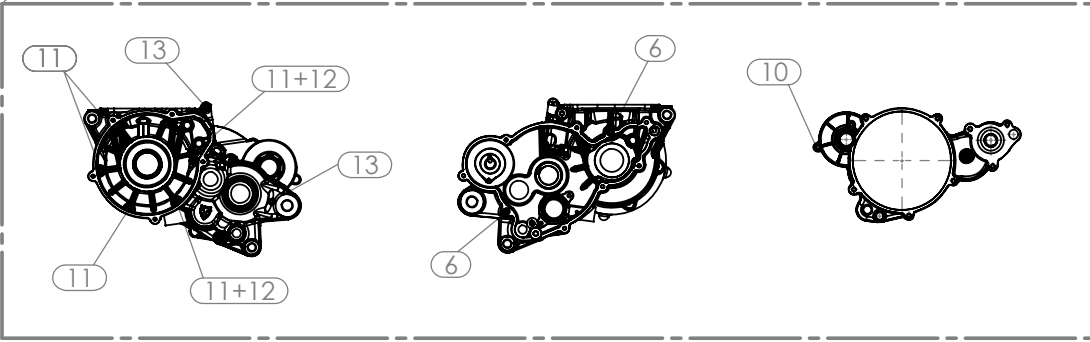


Kit Juntas Cárters



18

Graphic Engine Longer Bolts - Gráfico Longitud Tornillos



Despiece TRRS ONE-R Arranque eléctrico/ Electric Start 2021  
 03 - CM - Cárters Motor - Explosionado  
 TRRS Motorcycles



## Despiece TRRS ONE-R Arranque eléctrico/Electric Start 2021

## 03 - CM - Cárters Motor - Listado de Piezas

| Nº | Código     | Descripción                          | Description                      | Cantidad |
|----|------------|--------------------------------------|----------------------------------|----------|
| 1  | 03010MT100 | Cárter derecho                       | Case halve, right side           | 1        |
| 2  | 03013MT100 | Junta carter central                 | Gasket, center case              | 1        |
| 3  | 03019MT100 | Cárter izquierdo arranque electrico  | Left crankcase electric starter  | 1        |
| 4  | 03011MT100 | Junta carter embrague                | Gasket, clutch cover             | 1        |
| 5  | 03018MT100 | Tapa interior embrague               | Inner clutch cover               | 1        |
| 6  | 57002      | Centrador carter                     | Centering bushing, crank case    | 4        |
| 7  | 56104      | Arandela 12X16X1.5 cobre             | Copper washer, 12x16x1.5         | 3        |
| 8  | 50121      | Tornillo allen M5X25                 | Bolt allen M5x25                 | 1        |
| 9  | 50117      | Tornillo allen M5X60                 | Bolt allen M5x60                 | 6        |
| 10 | 01018TR100 | Depósito desvaporizador              | Ventilation reservoir            | 1        |
| 11 | 62104      | Tubo tubo goma desvaporizador carter | Rubber hose crankcase vent       | 1        |
| 12 | 58010      | Clip Tubo desvaporizador             | Clip, vent hose retention        | 2        |
| 13 | 56105      | Arandela 6x12x1.5 cobre              | Copper washer, 12x6x1.5          | 1        |
| 14 | 03003MT100 | Tapón vaciado aceite con imán        | Drain plug oil with magnet       | 2        |
| 15 | 03001MT100 | Tapón llenado aceite                 | Oil filler cap                   | 1        |
| 16 | 03002MT100 | Racor desvaporizador                 | Breather pipe                    | 1        |
| 17 | 50116      | Tornillo allen M5X35                 | Bolt allen M5x35                 | 3        |
| 18 | 03020MT100 | Conjunto carteres arranque electrico | Engine case set electric starter | 1        |



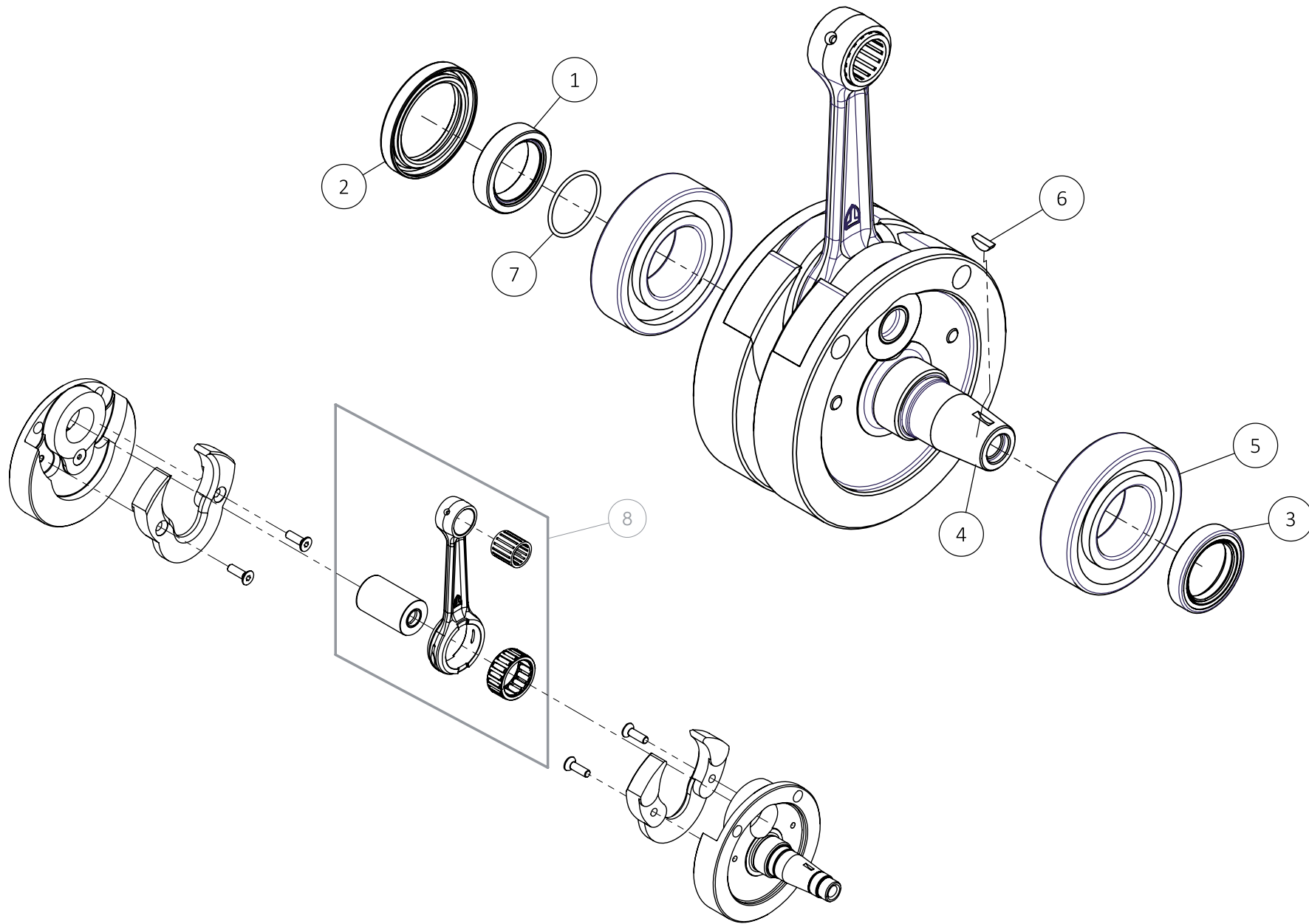


D

C

B

A



## Despiece TRRS ONE-R Arranque eléctrico/Electric Start 2021

04 - CM - Cigüeñal - Listado de Piezas

| Nº | Código     | Descripción                     | Description                        | Cantidad |
|----|------------|---------------------------------|------------------------------------|----------|
| 1  | 04013MT100 | Casquillo piñon salida cigüeñal | <i>Bushing, primary gear</i>       | 1        |
| 2  | 54011      | Reten doble labio (Primario)    | <i>Double Lip Seal</i>             | 1        |
| 3  | 54005      | Retén cigüeñal volante          | <i>Seal, crankshaft magneto</i>    | 1        |
| 4  | 04025MT100 | Cigüeñal arranque electrico     | <i>crankshaft electric starter</i> | 1        |
| 5  | 52109      | Rodamiento de bolas             | <i>Ball bearing</i>                | 2        |
| 6  | 59001      | Chaveta volante magnético       | <i>Key, magneto flywheel</i>       | 1        |
| 7  | 53016      | Tórica 25x1,5                   | <i>O-ring 25x1,5</i>               | 1        |
| 8  | 04003MT100 | Kit biela                       | <i>Rod kit</i>                     | 1        |

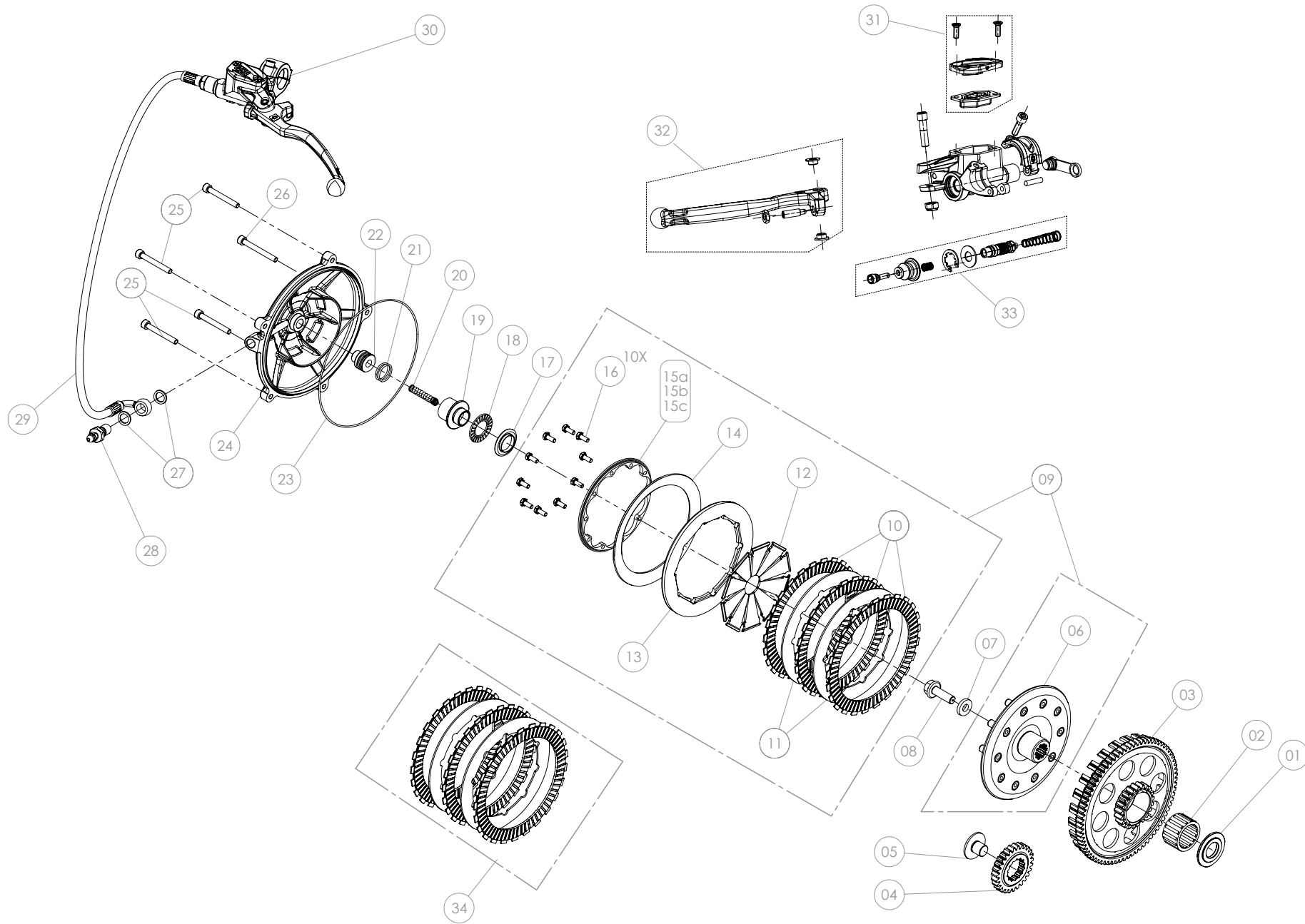


D

C

B

A



## Despiece TRRS ONE-R Arranque eléctrico/Electric Start 2021

## 05 - CE - Conjunto Embrague - Listado de Piezas

| Nº  | Código            | Descripción                                 | Description                                       | Cantidad |
|-----|-------------------|---|---|----------|
| N.º | Código            | Descripción                                 | Description                                       | Cantidad |
| 1   | <b>05001MT100</b> | Arandela Distanciador Embrague              | Washer, clutch spacer                             | 1        |
| 2   | <b>52505</b>      | Rodamiento Agujas Campana K25x33x20         | Needle bearing, clutch hub K25x33x20              | 1        |
| 3   | <b>05004MT100</b> | Campana Embrague                            | Clutch hub  | 1        |
| 4   | <b>05019MT100</b> | Piñon Transmisión Primario                  | Primary gear                                      | 1        |
| 5   | <b>05020MT100</b> | Tornillo Piñón Primario                     | Bolt, Primary gear                                | 1        |
| 6   | <b>05005MT100</b> | Cubo Embrague                               | Outer clutch hub set                              | 1        |
| 7   | <b>05006MT100</b> | Arandela Apriete Cubo                       | Washer, clutch hub retention                      | 1        |
| 8   | <b>50910</b>      | Tornillo 6921 M8x16 - Agujero Pasante       | Bolt, 6921 M8x16 - hollow                         | 1        |
| 9   | <b>70907</b>      | Conjunto Embrague Completo                  | Complete clutch assembly                          | 1        |
| 10  | <b>05007MT100</b> | Disco Embrague                              | Fiber disc, clutch                                | 3        |
| 11  | <b>05008MT100</b> | Disco Metálico Embrague                     | Metal disc, clutch                                | 2        |
| 12  | <b>05009MT100</b> | Chapa Palanca Embrague                      | plate, clutch actuation                           | 10       |
| 13  | <b>05010MT100</b> | Prensa Embrague                             | pressure plate, clutch                            | 1        |
| 14  | <b>05011MT100</b> | Muelle Prensa                               | Spring, clutch (belville)                         | 1        |
| 15a | <b>05012MT100</b> | Soporte muelle embrague (MED)               | Clutch spring suport (MED)                        | 1        |
| 15b | <b>05023MT100</b> | Soporte muelle embrague (DURO)              | Clutch spring support (HARD)                      | 0        |
| 15c | <b>05024MT100</b> | Soporte muelle embrague (BLANDO)            | Clutch spring support (SOFT)                      | 0        |
| 16  | <b>50502</b>      | Tornillo DIN 933 M4x10 - Fijador Muelle     | Bolt, DIN 933 M4x10 - Clutch compression ring     | 10       |
| 17  | <b>05013MT100</b> | Arandela Fricción Embrague                  | Bushing, clutch compression                       | 1        |
| 18  | <b>52506</b>      | Rodamiento Pistón Embrague Agujas AXK1730   | Needle bearing, clutch compression AXK1730        | 1        |
| 19  | <b>05014MT101</b> | Pistón Bombín Embrague                      | Piston, clutch slave                              | 1        |
| 20  | <b>05016MT100</b> | Muelle Pistón embrague                      | Spring, clutch piston                             | 1        |
| 21  | <b>53010</b>      | Tórica Embrague 15x1,5 NBR - Pistón Interno | O-ring, clutch 15x1.5 NBR - slave piston internal | 2        |
| 22  | <b>05015MT101</b> | Pistón Interno                              | Post, internal clutch slave                       | 1        |
| 23  | <b>53011</b>      | Tórica Tapa Embrague 135x1,5                | O-ring, clutch cover 135x1.5                      | 1        |
| 24  | <b>05017MT100</b> | Tapa Embrague TRS                           | Clutch disc cover TRS                             | 1        |
| 25  | <b>50119</b>      | Tornillo DIN 912 M5x45 - Tapa Embrague      | Bolt, DIN 912 M5x45- Clutch cover                 | 4        |
| 26  | <b>50123</b>      | Tornillo DIN 912 M5x50 - Tapa Embrague      | Bolt, DIN 912 M5x50- Clutch cover                 | 1        |
| 27  | <b>56101</b>      | Arandela 10x14x1,5 - Racord Embrague        | Washer, 10x14x1.5 - hydraulic sealing             | 2        |



## Despiece TRRS ONE-R Arranque eléctrico/Electric Start 2021

.05 - CE - Conjunto Embrague - Listado de Piezas

| Nº | Código            | Descripción                         | Description   | Cantidad |
|----|-------------------|-------------------------------------|---|----------|
| 28 | <b>70901</b>      | Racord M10 Tapa Embrague            | <i>Bleeder valve, clutch cover (Banjo)</i>                | 1        |
| 29 | <b>70902</b>      | Latiguillo Embrague                 | <i>Clutch hose</i>  | 1        |
| 30 | <b>70917</b>      | Bomba de Embrague Racing            | <i>Pump Racing, Clutch</i>                                | 1        |
| 31 | <b>70910</b>      | Tapa Depósito Bomba Embrague Racing | <i>Cover kit Racing, clutch master cylinder reservoir</i> | 1        |
| 32 | <b>70905</b>      | Maneta Embrague Racing              | <i>Racing Clutch lever (handle)</i>                       | 1        |
| 33 | <b>70914</b>      | Conjunto Pistón Bomba Embrague      | <i>Piston Kit, clutch master cylinder</i>                 | 1        |
| 34 | <b>05018MT100</b> | Conjunto Discos Embrague            | <i>Clutch disc set</i>                                    | 1        |

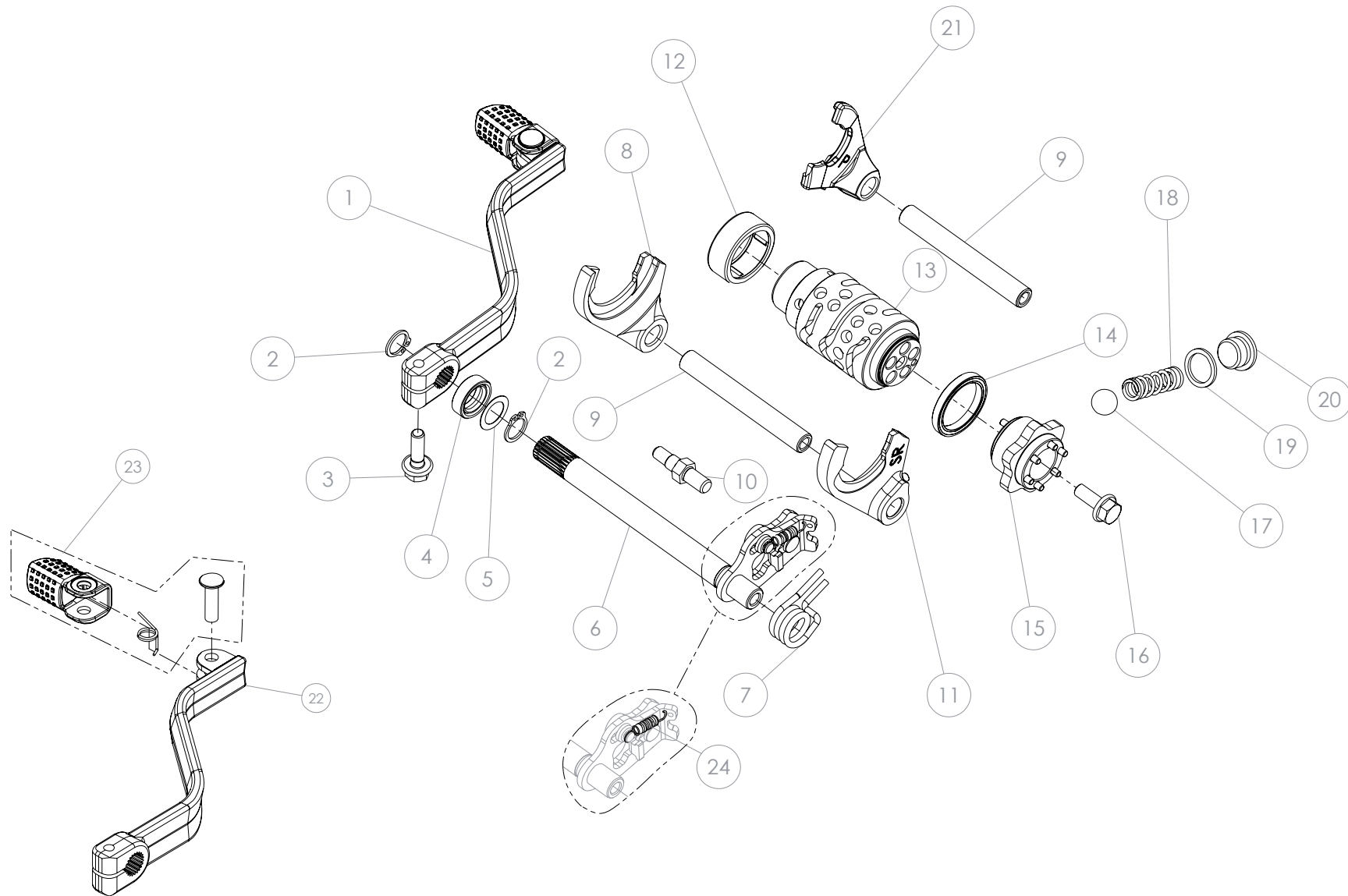


D

C

B

A



## Despiece TRRS ONE-R Arranque eléctrico/Electric Start 2021

## 06 - SC - Selector Cambio - Listado de Piezas

| Nº | Código     | Descripción                                     | Description                                 | Cantidad |
|----|------------|---|---|----------|
| 1  | 06001MT101 | Conjunto Palanca Cambio                         | Complete shift pedal                        | 1        |
| 2  | 55004      | Circlip DIN-471-Ø12                             | Circlip DIN-471-Ø12                         | 2        |
| 3  | 50909      | Tornillo DIN 6921 M6x20 Hexagonal               | Bolt, DIN 6921 M6x20 hex-head               | 1        |
| 4  | 54006      | Retén Eje Cambio 12x20x6                        | Seal, shift shaft 12x20x6                   | 1        |
| 5  | 06002MT100 | Arandela 12x18x0.3                              | Washer 12x18x0.3                            | 1        |
| 6  | 06027MT100 | Eje selector completo                           | Shifting shaft set                          | 1        |
| 7  | 06031MT100 | Muelle eje selector                             | Spring, shifting shaft                      | 1        |
| 8  | 06006MT100 | Horquilla secundario Izquierda SL               | Fork, secondary left SL                     | 1        |
| 9  | 06007MT100 | Eje Horquillas                                  | Shaft, shift fork                           | 2        |
| 10 | 06003MT100 | Tope Recorrido Selector                         | Stop, shift shaft                           | 1        |
| 11 | 06008MT100 | Horquilla secundario derecha SR                 | Fork, secondary right SR                    | 1        |
| 12 | 52507      | Rodamiento Izquierdo Desmodrómico HK2512        | Bearing, left Shift drum HK2512             | 1        |
| 13 | 06009MT100 | Desmodrómico                                    | Shift roller                                | 1        |
| 14 | 52103      | Rodamiento Derecha Desmodromico Bolas 61705-SRS | Bearing, shift drum right - balls 61705-SRS | 1        |
| 15 | 06032MT100 | Estrella desmo                                  | Gearshift set                               | 1        |
| 16 | 50903      | Tornillo DIN 6921 M6x16                         | Bolt, DIN 6921 M6x16                        | 1        |
| 17 | 60003      | Bola Fijador Marchas Kug 11,906                 | Ball, gear selector position Kug 11.906     | 1        |
| 18 | 06029MT100 | Muelle Fijador Marchas                          | Spring, gear selector tension               | 1        |
| 19 | 56106      | Arandela 14X18X1.5 Copper                       | Copper Washer, 14x18x1.5                    | 1        |
| 20 | 06018MT100 | Tapón Muelle Selector                           | Cap, selector spring                        | 1        |
| 21 | 06017MT100 | Horquilla primario                              | Fork, primary                               | 1        |
| 22 | 70451      | Kit Reparación Palanca Selector                 | Repair kit, shift pedal tip                 | 1        |
| 23 | 06030MT100 | Muelle selector marchas                         | Spring tensioning, shifting plate           | 1        |

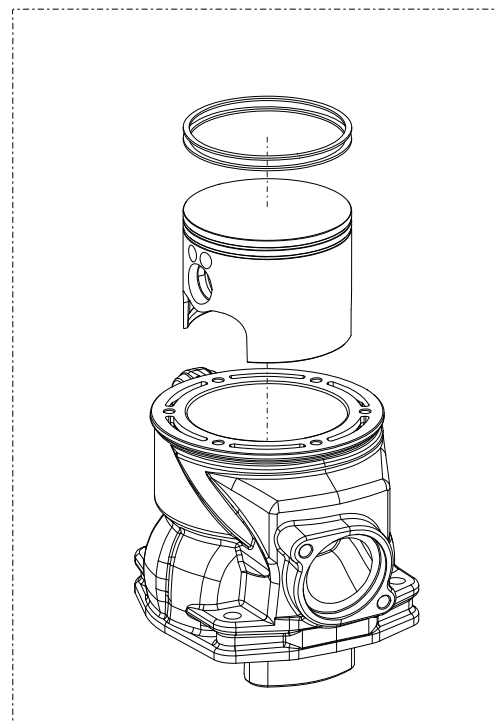
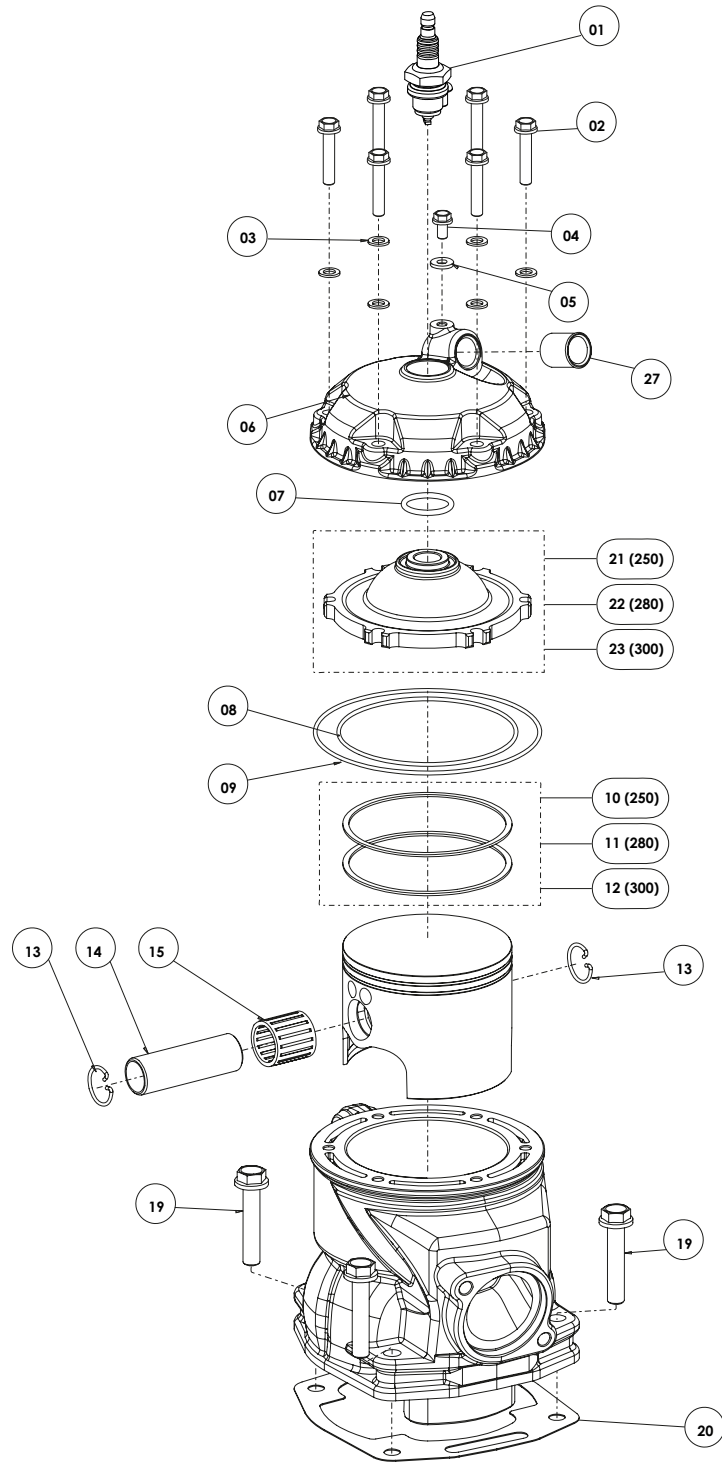


D

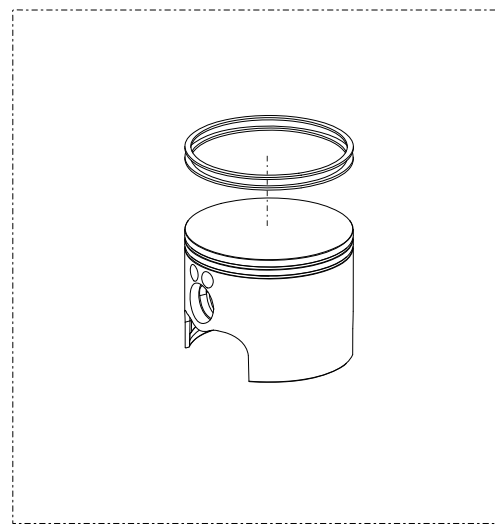
C

B

A



- 24 (250)
- 25 (280)
- 26 (300)



- 16A (250)
- 16B (250)
- 16C (250)
- 17A (280)
- 17B (280)
- 17C (280)
- 18A (300)
- 18B (300)
- 18C (300)



Despiece TRRS ONE-R Arranque eléctrico/ Electric Start 2021  
 07 - CP - Cilindro y Pistón - Explosionado  
 TRRS Motorcycles





## Despiece TRRS ONE-R Arranque eléctrico/Electric Start 2021

## 07 - CP - Cilindro y Pistón - Listado de Piezas

| Nº  | Código     | Descripción  | Description  | Cantidad |
|-----|------------|--|--|----------|
| 1   | 70205      | Bujía NGK BPMRGA - (véase (06) en la lámina 09-IE-Instalación Eléctrica) | Spark plug NGK BPMRGA - (see item (06) in drawing 09-IE - Electrical system) | 1        |
| 2   | 50911      | Tornillo DIN 6921 M6X25 Culata   | Bolt, DIN 6921 M6x25 Cylinder head   | 6        |
| 3   | 56105      | Arandela Tornillo Culata 6x12x1.5 Copper                                 | Copper washer, cylinder head bolt 6x12x1.5                                   | 6        |
| 4   | 50912      | Tornillo Din 6921 M5X8 Sangrador Culata                                  | Bolt, DIN 6921 M5x8 Cylinder head bleeder                                    | 1        |
| 5   | 56103      | Arandela Tornillo Sangrador Culata Tubo 5x9x1 Copper                     | Copper washer, cylinder head bleeder 5x9x1                                   | 1        |
| 6   | 07001MT100 | Tapa culata (negra)  | Cylinder head top cap (black)  | 1        |
| 7   | 53012      | Tórica Culatín Vitón 20x2,5  | O-ring, Viton 20x2.5   | 1        |
| 8   | 53013      | Tórica Culata Interior Vitón 81,2x1,78                                   | O-ring, Viton 81,2x1.78  | 1        |
| 9   | 53014      | Tórica Culata Exterior Vitón 101,6x1,78                                  | O-ring, Viton 101,6x1.78   | 1        |
| 10  | 70460      | Juego Segmentos 250  | Piston ring set, 250   | 1        |
| 11  | 70461      | Juego Segmentos 280  | Piston ring set, 280   | 1        |
| 12  | 70462      | Juego Segmentos 300  | Piston ring set, 300   | 1        |
| 13  | 55005      | Circlip Bulón  | Clip, piston pin   | 2        |
| 14  | 70463      | Bulón Piston   | Piston pin   | 1        |
| 15  | 52508      | Cojinete de agujas superior biela  | Top rod cage bearing   | 1        |
| 16A | 70465      | Conjunto Pistón A (250)  | Piston, size A complete (250)  | 1        |
| 16B | 70466      | Conjunto Pistón B (250)  | Piston, size B complete (250)  | 1        |
| 16C | 70467      | Conjunto Pistón C (250)  | Piston, size C complete (250)  | 1        |
| 17A | 70477      | Conjunto Pistón A (280)  | Piston, size A complete (280)  | 1        |
| 17B | 70478      | Conjunto Pistón B (280)  | Piston, size B complete (280)  | 1        |
| 17C | 70479      | Conjunto Pistón C (280)  | Piston, size C complete (280)  | 1        |
| 18A | 70480      | Conjunto Pistón A (300)  | Piston, size A complete (300)  | 1        |
| 18B | 70481      | Conjunto Pistón B (300)  | Piston, size B complete (300)  | 1        |
| 18C | 70482      | Conjunto Pistón C (300)  | Piston, size C complete (300)  | 1        |
| 19  | 50901      | Tornillo DIN 6921 M8X1,25X40   | Bolt, DIN 6921 M8x1.25x40  | 4        |
| 20  | 07002MT100 | Junta Cilindro 0,5   | Cylinder base gasket 0.5   | 1        |
| 21  | 07003MT100 | Culatín Interno (250)  | Interior cylinder head (250)   | 1        |



## Despiece TRRS ONE-R Arranque eléctrico/Electric Start 2021

## 07 - CP - Cilindro y Pistón - Listado de Piezas

| Nº | Código     | Descripción                      | Description                        | Cantidad |
|----|------------|----------------------------------|------------------------------------|----------|
| 22 | 07004MT100 | Culatín Interno (280)            | Interior cylinder head (280)       | 1        |
| 23 | 07005MT100 | Culatín Interno (300)            | Interior cylinder head (300)       | 1        |
| 24 | 07006MT100 | Conjunto Cilindro Y Pistón (250) | Complete cylinder and piston (250) | 1        |
| 25 | 07007MT100 | Conjunto Cilindro Y Pistón (280) | Complete cylinder and piston (280) | 1        |
| 26 | 07008MT100 | Conjunto Cilindro Y Pistón (300) | Complete cylinder and piston (300) | 1        |
| 27 | 02006MT100 | Casquillo Manguito Agua          | Bushing, water rubber hose         | 1        |

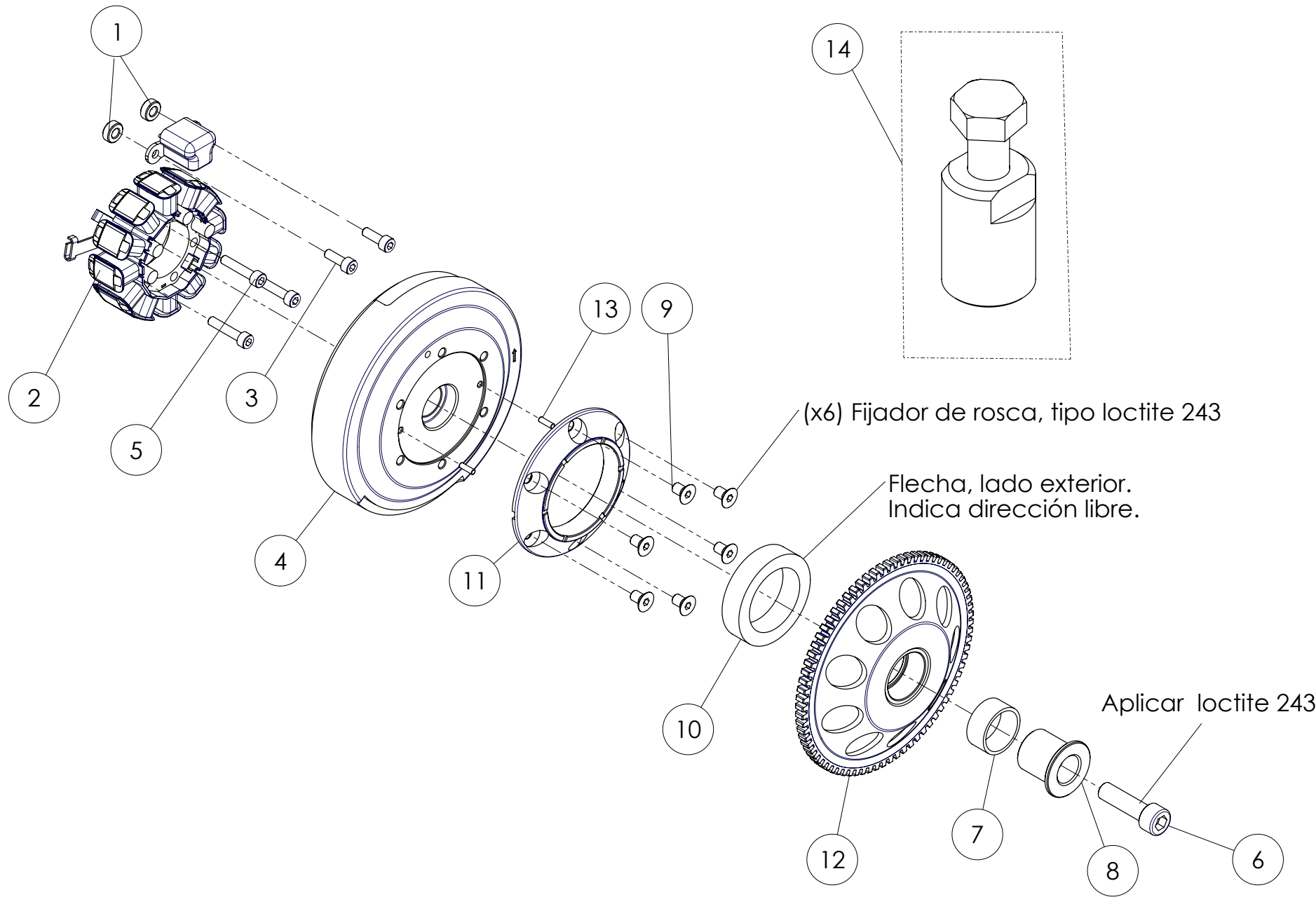


D

C

B

A



(x6) Fijador de rosca, tipo loctite 243

Flecha, lado exterior.  
Indica dirección libre.

Aplicar loctite 243



Despiece TRRS ONE-R Arranque eléctrico/ Electric Start 2021  
 08 - CE - Encendido - Explosionado  
 TRRS Motorcycles

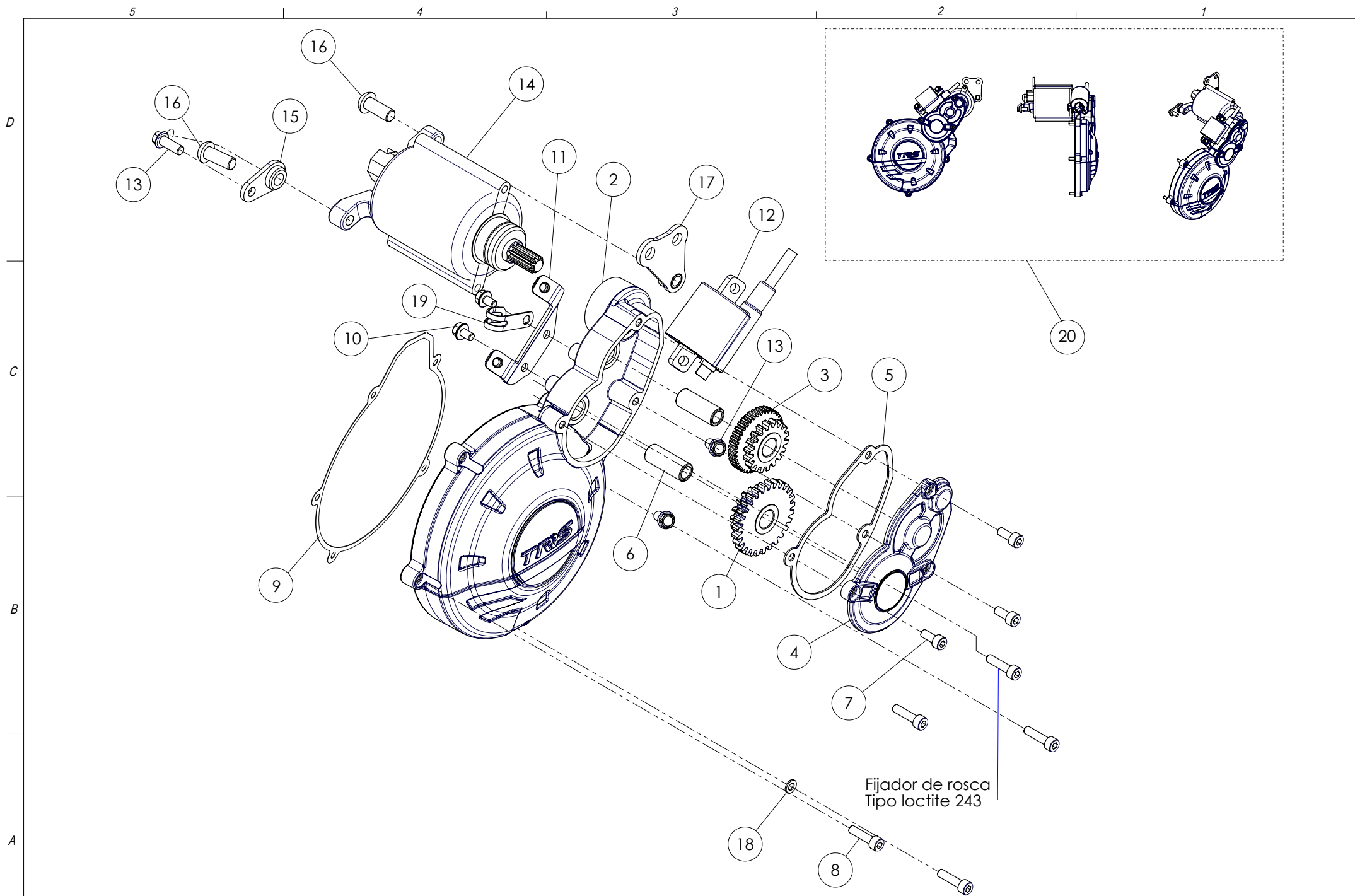


## Despiece TRRS ONE-R Arranque eléctrico/Electric Start 2021

08 - CE - Encendido - Listado de Piezas

| Nº | Código            | Descripción                          | Description                               | Cantidad |
|----|-------------------|--------------------------------------|---|----------|
| 1  | <b>10010MT100</b> | Casquillo distanciador pick-up       | <i>Spacer bushing pick-up</i>             | 2        |
| 2  | <b>70225</b>      | Estator + Pick-up                    | <i>Stator and pickup</i>                  | 1        |
| 3  | <b>50111</b>      | Tornillo allen M5x15                 | <i>Bolt, allen M5x15</i>                  | 2        |
| 4  | <b>70241</b>      | Volante magnetico arranque electrico | <i>Flywheel ignition electric starter</i> | 1        |
| 5  | <b>50121</b>      | Tornillo allen M5X25                 | <i>Bolt, allen M5x25</i>                  | 3        |
| 6  | <b>50125</b>      | Tornillo allen M10x35-1.25           | <i>Screw allen M10x35-1.25</i>            | 1        |
| 7  | <b>52516</b>      | Rodamiento agujas K25x29x13          | <i>Needle bearing K25x29x13</i>           | 1        |
| 8  | <b>08009MT100</b> | Eje rodamiento arranque electrico    | <i>Shaft bearing electric starter</i>     | 1        |
| 9  | <b>50A01</b>      | Tornillo M6x8 DIN-6912               | <i>Screw countersunk M6x8 DIN-6912</i>    | 6        |
| 10 | <b>52901</b>      | Rodamiento rueda libre               | <i>Bearing free wheel</i>                 | 1        |
| 11 | <b>10014MT100</b> | Soporte rodamiento una direccion     | <i>One way bearing support</i>            | 1        |
| 12 | <b>10006MT100</b> | Corona arranque electrico            | <i>Hub electric starter</i>               | 1        |
| 13 | <b>61001</b>      | Aguja Ø3X9.8                         | <i>Needle, shift drum Ø3X9.8</i>          | 2        |
| 14 | <b>08010MT100</b> | Extractor volante magnético M27      | <i>Removal tool M27, magneto flywheel</i> | 1        |





Fijador de rosca  
Tipo loctite 243



Despiece TRRS ONE-R Arranque eléctrico/ Electric Start 2021  
**09- AE - Arranque Eléctrico - Explosionado**  
 TRRS Motorcycles

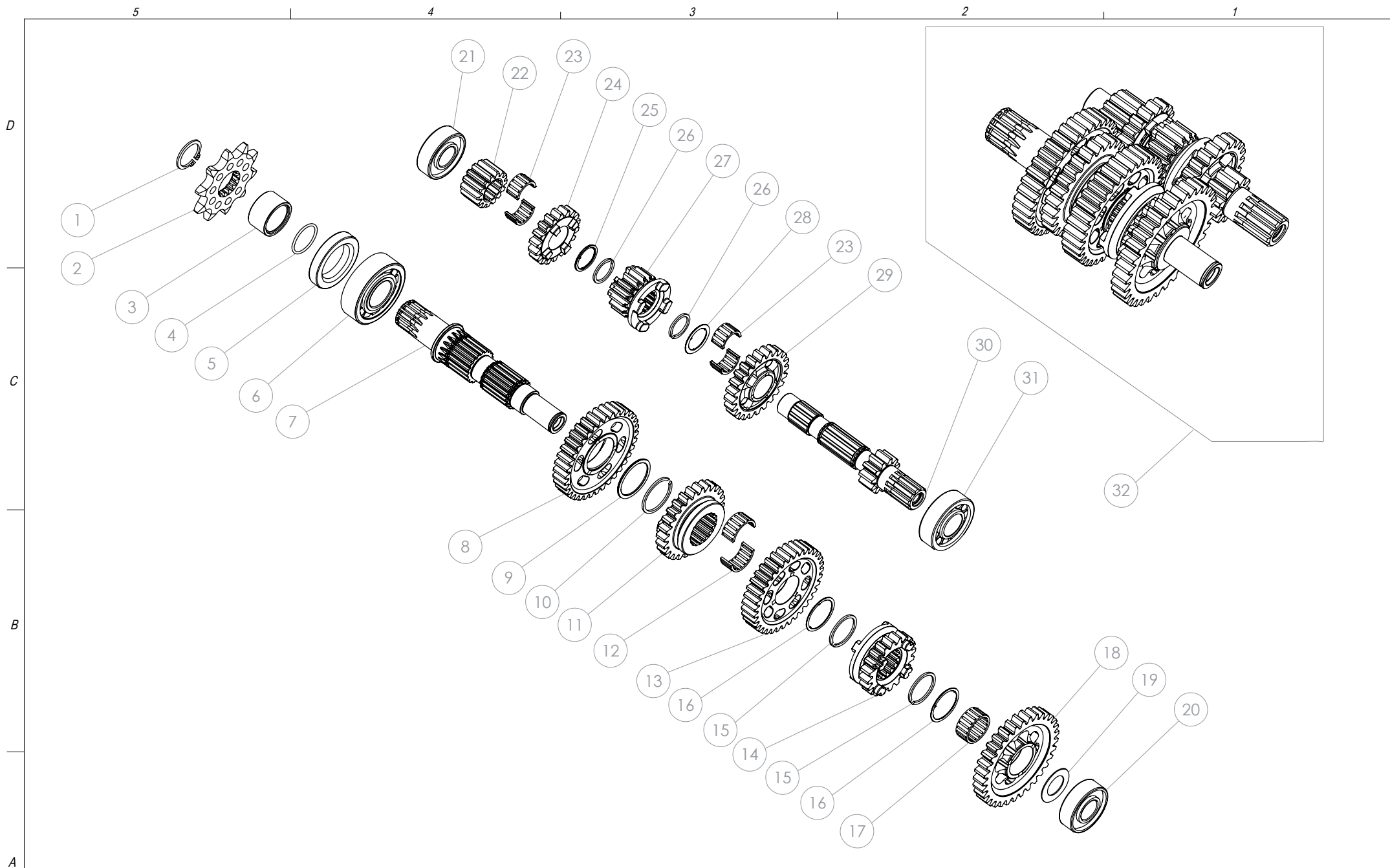


## Despiece TRRS ONE-R Arranque eléctrico/Electric Start 2021

09 - AE - Arranque Eléctrico / Electric Start- Listado de Piezas

| Nº | Código     | Descripción                                     | Description                            | Cantidad |
|----|------------|---|--|----------|
| 1  | 10005MT100 | Piñones arranque electrico secundario           | Second gear set electric starter       | 1        |
| 2  | 10001MT100 | Tapa arranque electrico                         | Cover electric starter                 | 1        |
| 3  | 10004MT100 | Piñones arranque electrico primario             | First gear set electric starter        | 1        |
| 4  | 10002MT100 | Tapa registro arranque electrico                | Gear cover electric starter            | 1        |
| 5  | 10007MT100 | Junta tapa registro                             | Gasket gear cover electric starter     | 1        |
| 6  | 10008MT100 | Eje engranaje                                   | Shaft gear                             | 2        |
| 7  | 50124      | Tornillo allen M5x12                            | Screw allen M5x12                      | 3        |
| 8  | 50112      | Tornillo allen M5x20                            | Bolt allen M5x20                       | 5        |
| 9  | 08003MT100 | Junta tapa encendido                            | Gasket, Ignition cover                 | 1        |
| 10 | 50912      | Tornillo hexagonal con valona M5X8              | Bolt, hexagonal with washer M5x8       | 2        |
| 11 | 10009MT100 | Soporte bobina arranque electrico               | Support ignition coil electric starter | 1        |
| 12 | 70203      | Bobina  | Coil                                   | 1        |
| 13 | 50903      | Tornillo hexagonal con valona M6x16             | Bolt hexagonal with washer M6x16       | 3        |
| 14 | 70243      | Motor arranque                                  | Starter engine                         | 1        |
| 15 | 10011MT100 | Soporte inferior motor de arranque              | Lower bracket starter engine           | 1        |
| 16 | 50201      | Tornillo allen alomado M8x20                    | Bolt allen M8x20                       | 2        |
| 17 | 10012MT100 | Soporte superior motor de arranque              | Upper bracket starter engine           | 1        |
| 18 | 56103      | Arandela cobre 5x9x1                            | Copper washer, 5x9x1                   | 1        |
| 19 | 58001      | Abrazadera regulable revestida con vinilo Ø6x60 | Clamp 60mm                             | 1        |
| 20 | 10000MT100 | Conjunto arranque electrico                     | Electric starter set                   | 1        |





## Despiece TRRS ONE-R Arranque eléctrico/Electric Start 2021

09 - CM - Cambio - Listado de Piezas

| Nº | Código     | Descripción                                    | Description                                    | Cantidad |
|----|------------|--|--|----------|
| 1  | 55012      | Circlip DIN-471 Ø19                            | Circlip DIN-471 Ø19                            | 1        |
| 2  | 09020MT100 | Piñon salida 10Z (250-280-300cc)               | Sprocket 10Z (250-280-300cc)                   | 1        |
| 3  | 09021MT100 | Casquillo piñon salida                         | Bushing, sprocket                              | 1        |
| 4  | 53017      | Junta tórica Casquillo Piñon Salida 20X1,5     | O-ring, Bushing sprocket, 20X1,5               | 1        |
| 5  | 54010      | Retén Piñon Salida Doble Labio Ø26Ø40L7        | Double Lip Seal Ø26Ø40 L7                      | 1        |
| 6  | 52111      | Rodamiento de bolas 6204-C                     | Bearing 6204-C                                 | 1        |
| 7  | 09019MT100 | Eje Secundario                                 | Countershaft                                   | 1        |
| 8  | 09004MT100 | Piñón 2ª Secundario                            | Gear, 2nd, secondary                           | 1        |
| 9  | 09005MT100 | Arandela 30x25,1x1 Piñón 2ª Secundario         | Washer, 30x25,1x1 Secondary 2nd gear           | 1        |
| 10 | 55009      | Circlip SW 25x1.2                              | Circlip, SW 25x1.2                             | 1        |
| 11 | 09006MT100 | Piñón 4ª Secundario                            | Gear, 4th Secondary                            | 1        |
| 12 | 52509      | Rodamiento Agujas Partido K18x22x10D           | Needle bearing, two-piece K18x22x10D           | 1        |
| 13 | 09008MT100 | Piñón 3ª Secundario                            | Gear, 3rd Secondary                            | 1        |
| 14 | 09009MT100 | Piñón 5ª Secundario                            | Gear, 5th Secondary                            | 1        |
| 15 | 55007      | Circlip SW 22x1.2                              | Circlip, SW 22x1.2                             | 2        |
| 16 | 09007MT100 | Arandela 26x22x0,5 Piñón 3ª Secundario Dentada | Toothed washer, 26x22x0,5, 3rd gear, Secondary | 2        |
| 17 | 52510      | Rodamiento Agujas K18x22x10                    | Needle bearing, K18x22x10                      | 1        |
| 18 | 09010MT100 | Piñón 1ª Secundario                            | Gear, 1st Secondary                            | 1        |
| 19 | 09024MT100 | Arandela 15,1x25,5x0,8                         | Washer 15,1x25,5x0,8                           | 1        |
| 20 | 52107      | Rodamiento 15,1x25,5x01                        | Bearing 15,1x25,5x1                            | 1        |
| 21 | 52201      | Rodamiento Primario Izquierdo 7202-B-Tvp       | Bearing, Primary left 7202-B-TVP               | 1        |
| 22 | 09012MT100 | Piñón 2ª Primario                              | Gear, 2nd Primary                              | 1        |
| 23 | 52511      | Rodamiento Agujas Partido K14x18x10D           | Needle bearing, two-piece K14x18x10D           | 2        |
| 24 | 09013MT100 | Piñón 4ª Primario                              | Gear, 4th Primary                              | 1        |
| 25 | 09014MT100 | Arandela 20x16,65x1 Primario Dentada           | Toothed washer, 20x16,65x1 Primary             | 1        |
| 26 | 55008      | SW 16 Circlip 16X1.2                           | Circlip, SW 16 - 16x1.2                        | 2        |
| 27 | 09015MT100 | Piñón 3ª Primario                              | Gear, 3rd Primary                              | 1        |
| 28 | 09016MT100 | Arandela 22,5X16,65X0,5 Dentada                | Toothed washer, 22.5x16.65x0.5                 | 1        |
| 29 | 09017MT100 | Piñón 5ª Primario                              | Gear, 5th Primary                              | 1        |





## Despiece TRRS ONE-R Arranque eléctrico/Electric Start 2021

09 - CM - Cambio - Listado de Piezas

| Nº | Código            | Descripción                              | Description                         | Cantidad |
|----|-------------------|--|-------------------------------------|----------|
| 30 | <b>09018MT100</b> | Eje Primario                             | Primary shaft                       | 1        |
| 31 | <b>52301</b>      | Rodamiento Primario Derecho Nj203-E-Tvp2 | Bearing, Primary right NJ203-E-TVP2 | 1        |
| 32 | <b>09025MT100</b> | Conjunto Piñones y Ejes Cambio           | Kit, Gears and Shafts (Gearbox)     | 1        |

